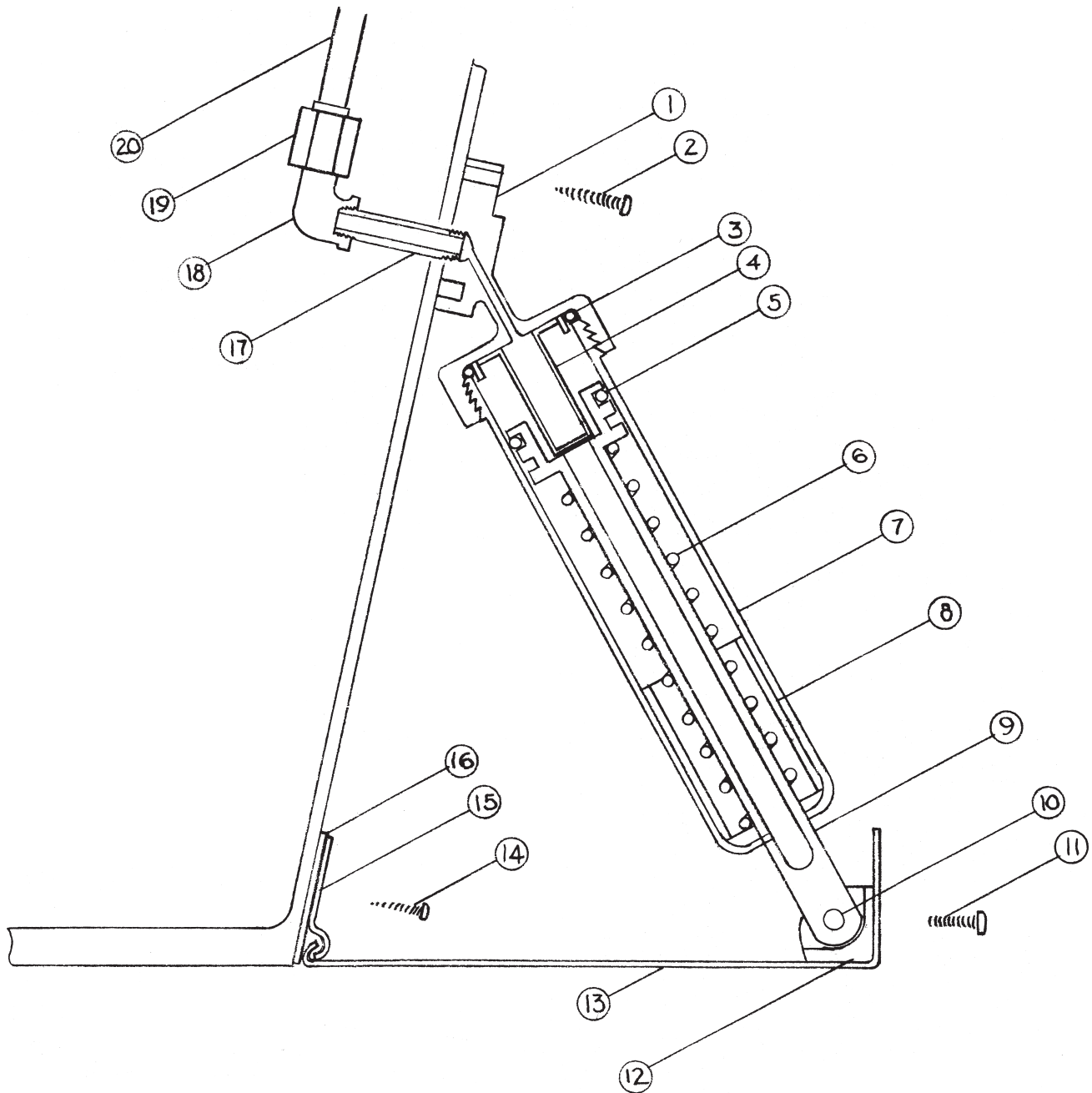


ACTUATOR

Part Name	Part #	Part Name	Part #
1. Upper Hinge with O-Ring.....	A1103	11. 1/4-20 x 3/4" Machine Screw.....	H1175
2. #14 x 1-1/2" Screw.....	H1174	12. Lower Hinge.....	A1113
3. -224 O-Ring.....	A1120	13. Trim Plane.....	Varies With Model
4. Spacer..... Only Available With Upper Hinge		14. #10 x 1-1/4" Screw.....	EH1071
5. -220 O-Ring.....	A1121	15. Hinge Plate.....	Varies With Model
6. Actuator Spring.....	Varies With Model	16. Backing Plate.....	Varies With Model
7. Cylinder.....	A1105	17. Brass Pipe Nipple.....	H1171
8. Sleeve.....	Varies With Model	18. Female Elbow.....	H1172
9. Piston With O-Ring.....	A1109	19. Nut w/ferrule.....	T1127
10. Pin.....	A1115	20. Tubing.....	T1125





NON-STANDARD INSTALLATION OPTIONS

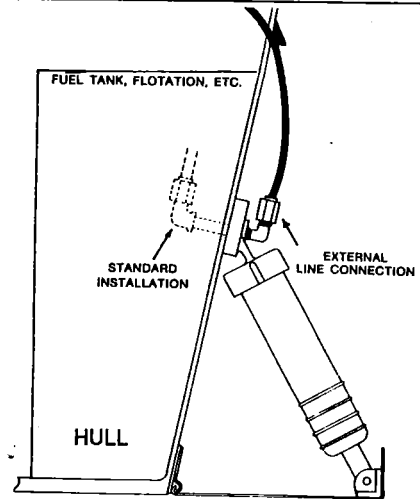
External Line Connection Actuator:

One of the unique features of the Bennett Trim Tab system is the use of concealed through-transom hydraulics. However, there are cases of complete inaccessibility inside the transom making the use of the standard Bennett actuator difficult. For such instances, the Bennett actuator is available with an external line connection. The special actuator avoids the accessibility problem by allowing the hydraulics to enter the transom at a location where there is no obstruction.

The hydraulic tubing connects directly to the upper hinge of the actuator and is fed through the transom above the waterline. A chrome "clamshell" is included with each actuator to cover the hole in the transom.

The external line connection actuator is recommended only when necessary.

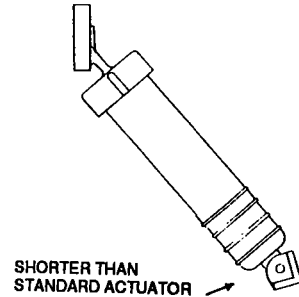
Part Number: A1101EX



Reduced Actuator:

The "Reduced Actuator" is used in applications where a slightly shorter than standard actuator is desired. It is one inch shorter than the standard A1101 A actuator so it may be installed lower on the transom. Actuator stroke is same as standard at 2-1/2" unless otherwise specified.

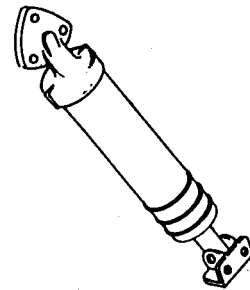
Part Number: SA2118A
(SA2118EX for external line connection)



Small Actuator:

The "Small Actuator" is a scaled-down version of our standard A1101A actuator. It is made for short transom applications or where standard actuator height makes installation difficult. The "small actuator" length is 2" shorter than the standard A1101A. THE "SMALL ACTUATOR" IS GENERALLY NOT RECOMMENDED FOR USE ON TABS OVER 24" IN SPAN, OR FOR PERFORMANCE APPLICATIONS. The "small actuator" is designated by 3 rings around the base of the cylinder body.

Part Number: A1200S
(A1200EX for external line)

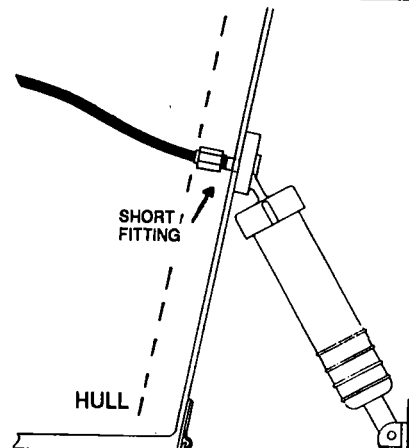


There is no extra charge for any of the three actuators above, they are the same cost as the standard A1101A. Special Trimindicator or Tab Gauge indicator kits are required for compatibility with the above actuators.

Short through-transom fitting:

For boats with limited space inside the transom, a shorter hydraulic connection is available in lieu of the standard pipe nipple and elbow. This short fitting allows the tubing to be connected to the actuator outside the boat. The tubing can then be fed through the transom and pulled from the inside. Standard pipe nipple and female elbow are not used.

Part Number for fitting (used on any actuator except external line): VP1146
(one per actuator)



Alternate length pipe nipples: Lengths of 2-1/2", 4" and 5" are available. (Standard pipe nipple length is 3".)

Bennett Marine

550 N.W. 12th Avenue • Deerfield Beach, FL 33442
Phone: (305) 427-1400 • Fax: (305) 480-2897