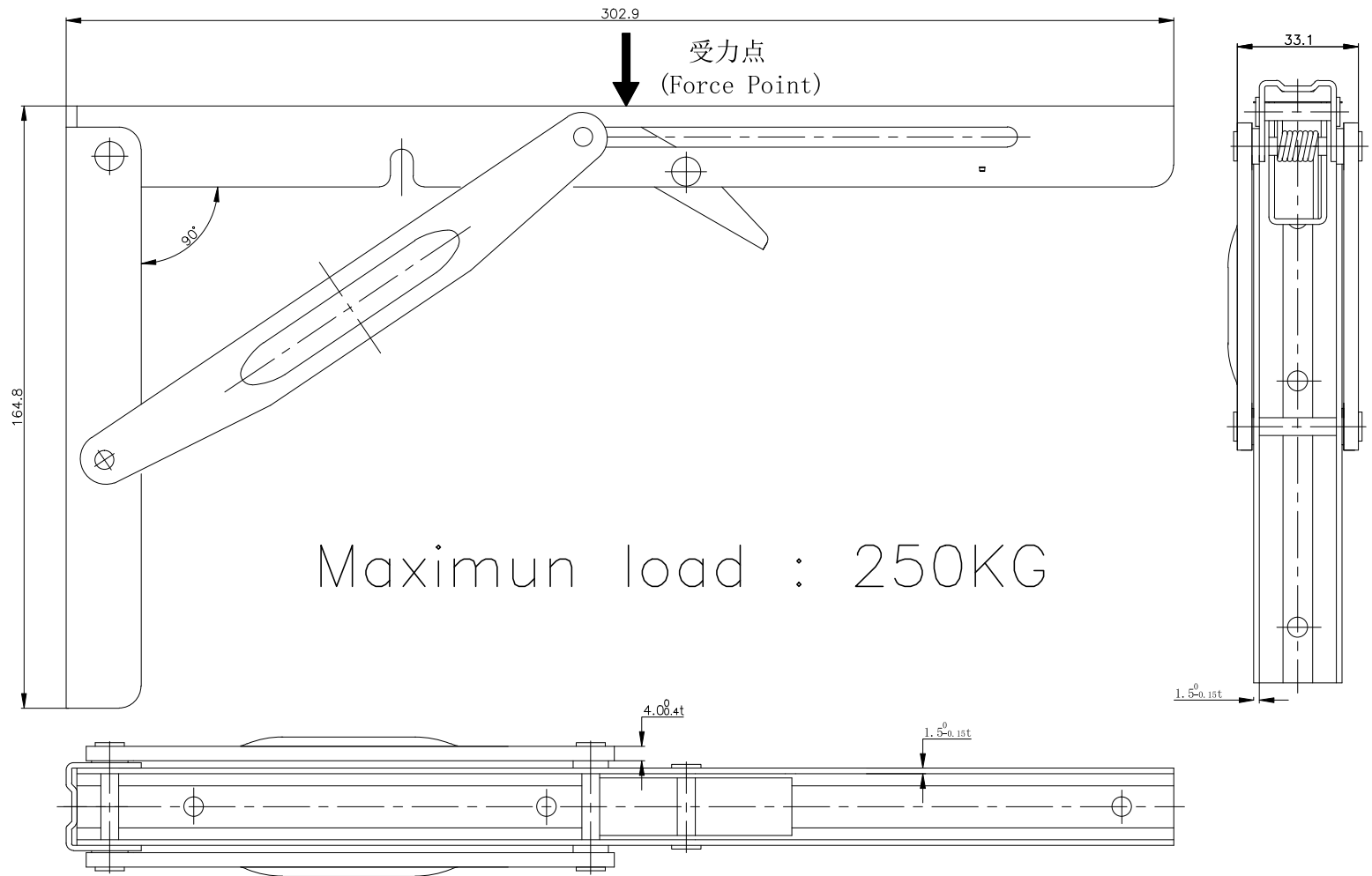


For your Approval



Maximum load : 250KG

Unless otherwise specified; tolerances are:

1. Wall Thickness = $\pm 5\%$
2. Angles = $\pm 2^\circ$
3. Profile dimensions fit : ISO JS13

★ INDICATES "CRITICAL TO QUALITY" DIMENSION

REMOVE BURRS AND SHARP CORNERS 0.10-0.25

Table Bracket

Drawn: Date: 05.05.31

Checked: Date:

M'TL: SUS304

Scale:

DWG. NO.: Edition:

Approved: Date:

Weight: g

Dimensions: M/M

48.615.03

A0

Projection: A4H

Finish:

SHEET OF

Customer's No.:

Ecn	Revisions	Description	Date	Revised