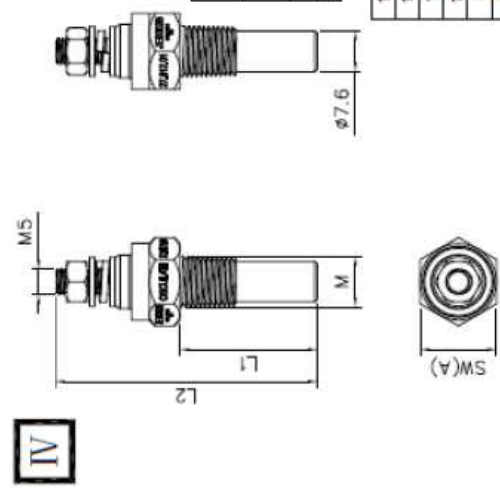
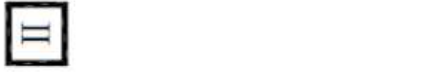


terminal type, without alarm



screw type, without alarm



dual-terminals type, without alarm



dual-terminals type, with alarm

Oil temperature	Temperature °C		Resistance parameters for temperature sensor																		
	50	60	70	80	90	100	110	120	130	140	150										
	381.8	250.7	177.9	128.2	94.02	70	52.98	40.55	31.44	24.89	19.58										
Water temperature	Temperature °C		Resistance parameters for temperature sensor																		
	40	50	60	70	80	90	95	100	110	120	120										
	300.8	204.7	141.8	100.8	72.54	53.19	45.81	39.8	29.96	22.94											

Technical requirements:

- Specified Art no., the product is the exactly the same as RUS product of the same type except marking, production according to the assembly drawing of RUS product.
- Marking, according to the drawing, height of the font 2mm, width of the text can be adjusted just to fit the marking surface.

No.	Customer Art. no.	Type	Alarm point	Thread	A	L1	L2	
13	27.812.01	IV	NO	OSCULATI	1/4"-18NPT	15	27	51.5
12	27.813.00	III	120°C	OSCULATI	M14x1.5	22	41	71.5
11	27.792.00	III	95°C	OSCULATI	M14x1.5	22	41	71.5
10	27.818.01	II	NO	OSCULATI	M14x1.5	19	28.5	58.7
9	27.819.00	II	NO	OSCULATI	1/2"-14NPT	22	28.5	58.7
8	27.818.00	II	NO	OSCULATI	M14x1.5	19	28.5	58.7
7	27.827.01	I	NO	OSCULATI	M18x1.5	19	28.5	51
6	27.811.00	I	NO	OSCULATI	M14x1.5	19	28.5	51
5	27.450.01	I	NO	OSCULATI	1/8"-27NPT	15	28.5	51
4	27.819.01	I	NO	OSCULATI	1/2"-14NPT	22	28.5	51
3	27.810.00	I	NO	OSCULATI	M14x1.5	19	28.5	51
2	27.827.00	I	NO	OSCULATI	M18x1.5	19	28.5	51
1	27.450.00	I	NO	OSCULATI	1/8"-27NPT	15	28.5	51

<ZYPC-S-A425>