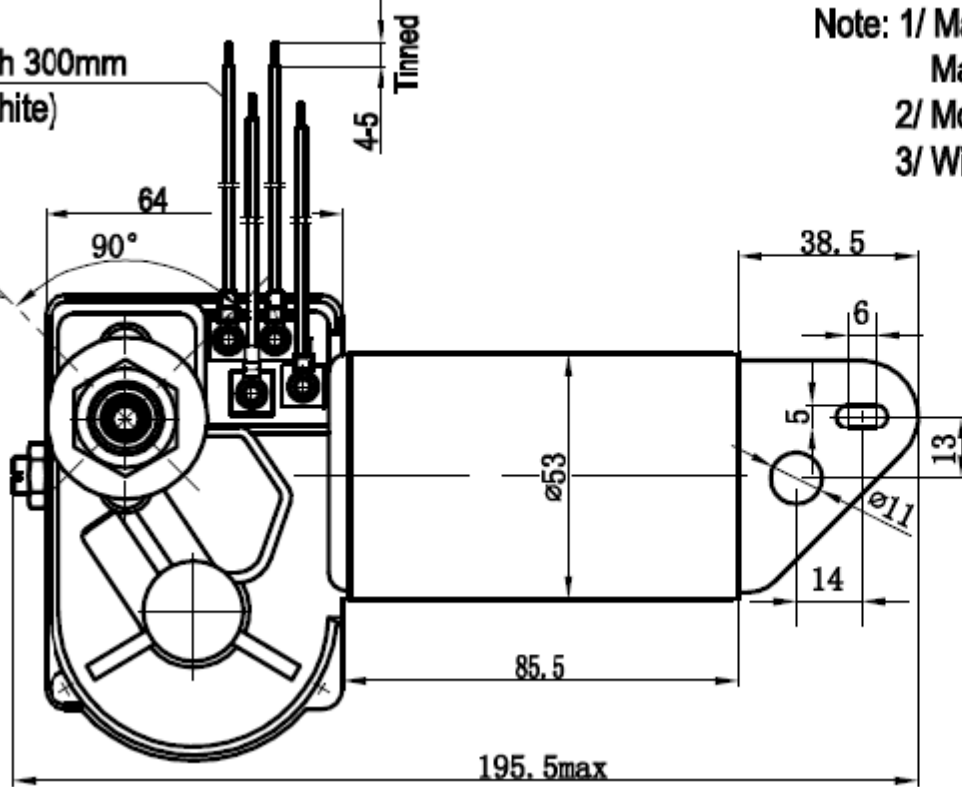


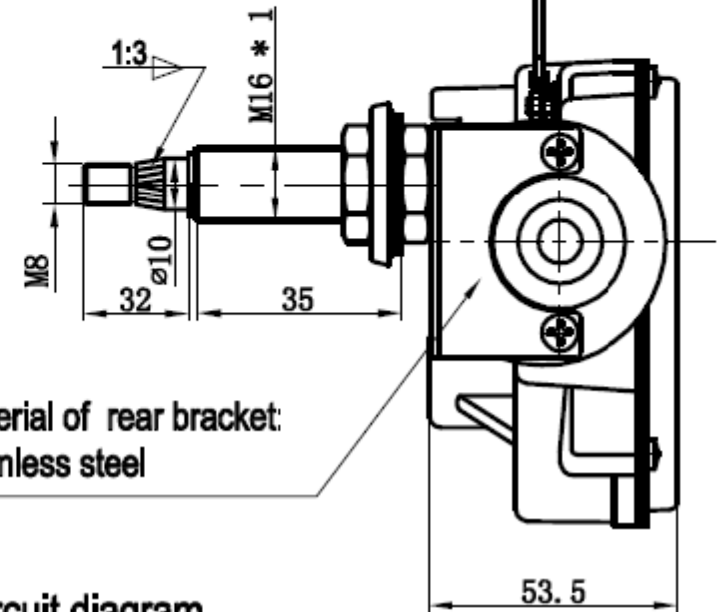
Wire length 300mm
(Color - White)

Tinned

Motor
Left parking

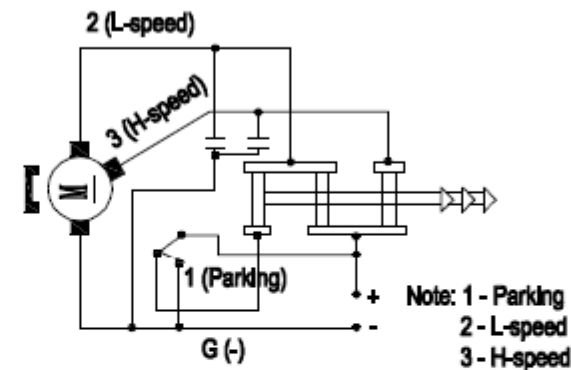


Note: 1/ Material of output shaft is stainless steel;
Material of shaft housing is brass (nickel plated);
2/ Motor painted white;
3/ Without W.E logo.

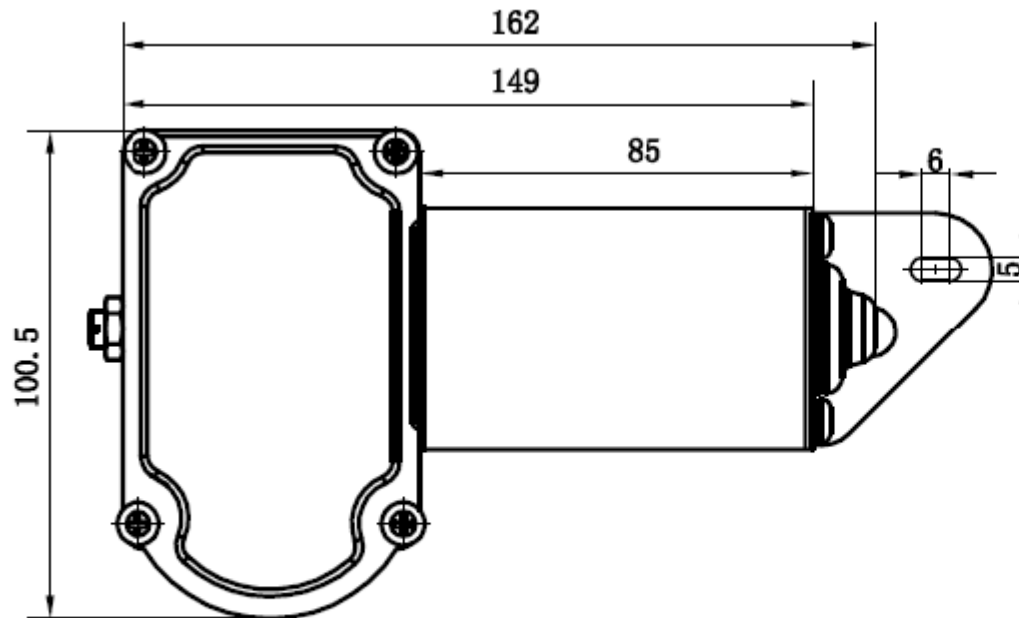


Material of rear bracket:
Stainless steel

Circuit diagram



ITEM	BASIC DATA			
Rated voltage	12V	24V		
Test voltage	13.5V	27V		
Wiping speed	30±5~45±5 rpm			
No-load current (A)	H-speed	L-speed	H-speed	L-speed
	≤20	≤15	≤15	≤1
Working torque	3.43Nm (L-speed)			
Brake torque	≥12Nm (L-speed)			
Noise	≤55dB(A)			



Wiper motor				Customer	
Edit	Mark	Signature	Date	Osculati S.P.A	
Design	Zhang Ming	2011.08.18		Model	19 181 01 19 181 02
Proctread			Weight	Drawing #	
Review			View	Edition	A
Approval			Scale	Pages	