

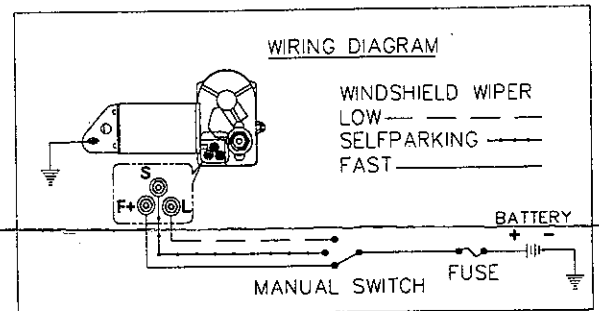
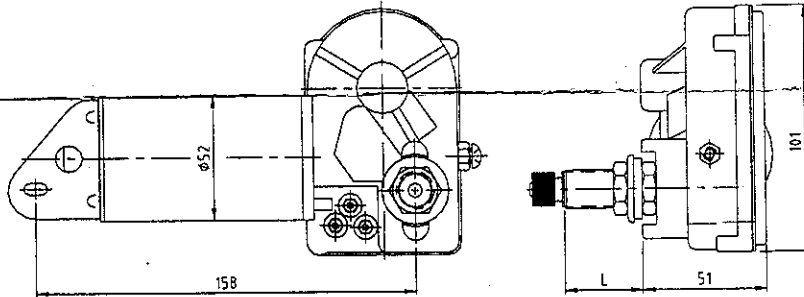
INSTRUCTION MANUAL

MODEL: TMC-00901/00902

HEAVY DUTY WIPER MOTOR, 2-SPEEDS, SELF-PARKING FEATURE.
INTERCHANGEABLE SWEEPING DEGREES: 83 -100-110-120 DEGREES.

- DC-12V / 24V AVAILABLE.
- STALL TORQUE: 100 KG-CM.
- SWEEP ANGLE: 83-100-110-120 DEGREES INTERCHANGEABLE.
- SELF-PARKING & 2 SPEEDS.

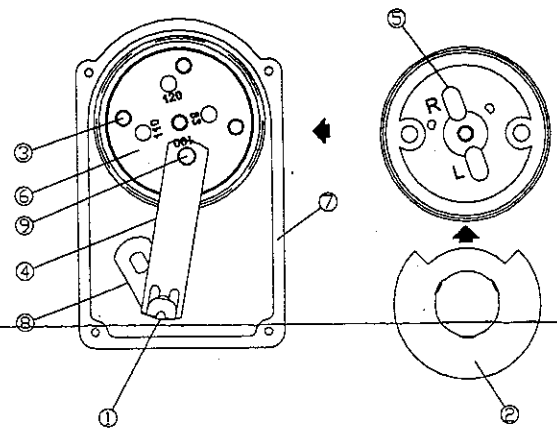
1. DIMENSIONS:



Item No.	L
00902	50.8(2")
00901	25.4(1")

2. HOW TO CHANGE THE SWEEPING ANGLE?

- a. REMOVE THE WIPER ARM.
- b. REMOVE THE GEARBOX COVER.
- c. REMOVE THE CLIP (1) ON THE CONNECTION LINK (4).
- d. REMOVE THE LINK AND THE GEAR (5).
- e. TURN THE GEAR OVER AND MOVE THE CONDUCTION PLATE (2).
- f. LOOSEN THE FIXED SCREWS (3).
- g. TURN THE SWEEPING ANGLE PLATE (6) AND SET THE DESIRED DEGREE HOLE TO BE ALIGNED WITH THE GEAR CHANNEL "R" (5).
- h. TIGHTEN THE FIXED SCREWS (3) BACK.
- i. RELOCATE THE CONDUCTION PLATE (2) AND GEAR IN POSITION.
- j. PLACE THE TRANSMISSION PIN (9) IN DESIRED HOLE ON GEAR.
- k. PLACE THE CLIP(1) BACK TO SECURE THE LINK OF GEAR(5) & WIPER SHAFT (8).
- l. LUBRICATE THE GEAR WITH SOME GREASE BEFORE PUTTING GEARBOX COVER BACK IN POSITION.
- m. RUN THE MOTOR TO THE PARK POSITION AND INSTALL THE WIPER ARM BACK.



INSTALLATION DIAGRAM

3. INSTALLATION

- LOCATE MOUNTING POSITION OF WIPER.
- DETERMINE SUITABLE SWEEPING DEGREES AND WHETHER ADEQUATE SPACE IS AVAILABLE.
- CHECK IF THE BLADE WILL WIPE THE DESIRED AREA OF WINDSHIELD. REFER TO SWEEPING DIAGRAM.
- RUN THE MOTOR TO THE PARK POSITION.

