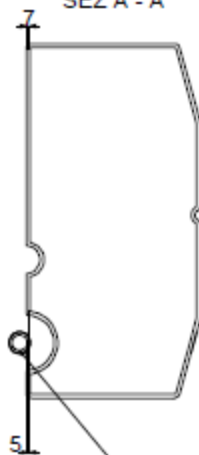
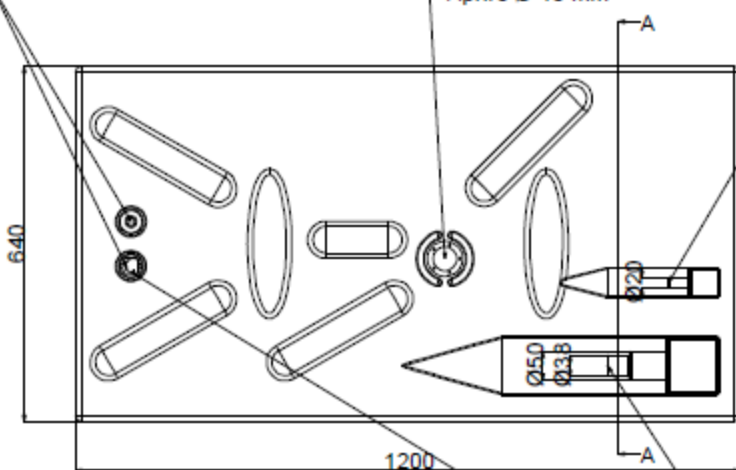


N°2 Ghiera Affogata 1/2" GAS  
SEZ A - A



Foratura post stampaggio  
Ø 30

Ghiera VDO Revisione 2016  
Aprire Ø 43 mm



Aprire Ø 11 mm

Aprire Ø 30 mm

Pescante Orientabile;

Montare n°3 oring di tenuta sul pescante ;  
montare n°1 oring tra controghiera e PE

**LISTA ACCESSORI**

Codice	Q.Tà	Componente
BPG0038	1	Ghiera VDO revisione 2016 In alluminio
BPO00079	1	Raccordo Pescante Orientabile F 3/8" GAS
BPO00080	2	Ghiera Affogata M 1/2" GAS
BPO00081	1	Controghiera F1/2" GAS
BMP00001	1	Tubo in PA 12*10 mm L= 300 mm

**Limit Dimensions ( GA ) for nominal size ranges ( Dimension in Millimeters )**

Tolerance Group	1.6 to 3	> 3 to 6	> 6 to 10	> 10 to 18	> 18 to 30	> 30 to 50	> 50 to 80	> 80 to 120	> 120 to 180	> 180 to 250	> 250 to 315	> 315 to 400	> 400 to 500	> 500 to 600	> 600 to 800	> 800 to 1000
TG9	±0.30	±0.40	±0.50	±0.60	±1.00	±1.20	±1.50	±2.00	±2.50	±3.00	±4.00	±4.50	±6.00	±8.00	±10.00	±11.00