

## PRODUCT SPECIFICATION

### A1200S - Actuator, *Sal*

**Description:**  
Hydraulic Trim Tab Actuator for Bennett Trim Tab Systems

**Specifications:**

**Mechanical:**

Material	GF Nylon
Hydraulic Fluid	ATF
Mounting Hardware:	
Upper Hinge	#14 x 1-1/2" Sheet Metal Screws
Lower Hinge	1/4-20 3/4" Pan Head Screws
Fluid Port	1/8NPT

**Working Forces:**

Actuation Force	700lbs @ 350psi
-----------------	-----------------

**Pressures:**

Working Pressure	350psi
------------------	--------

**Stroke:**

Standard Stroke Length	2.25in
Max Stroke Length	3.25in

**Mounting Positions**

Recommended Mounting Angle	40°-50°
Max Mounting Angle	90°
Min Mounting Angle	0° with spacing block

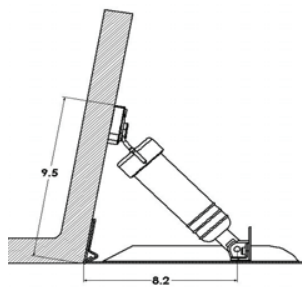
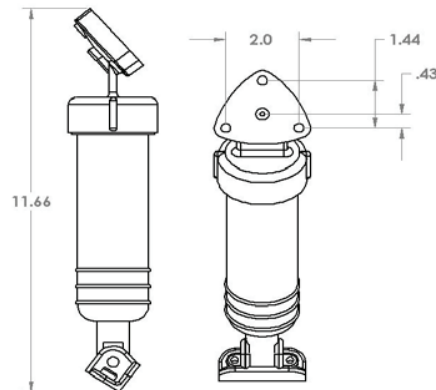
**Options:**

Position Sensors	
Range	0-2.5in
Resistance	230Ω
Connectors	2 position Micro Mate-N-Lock

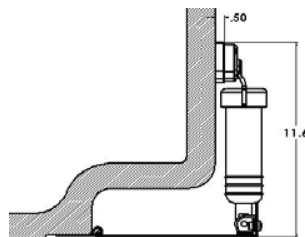
Extended Stroke Length	3.25in Max
Reduced length	.775in Reduction
Mounting Spacers	3/8" Nylon spacer block
Pipe Nipples	1/8"NPT 2.0 - 6.0in lengths

**CAD Files:**

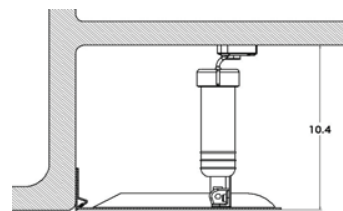
IGES, easm



Standard Actuator Position



Min Mounting Angle



Max Mounting Angle