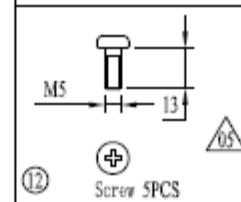
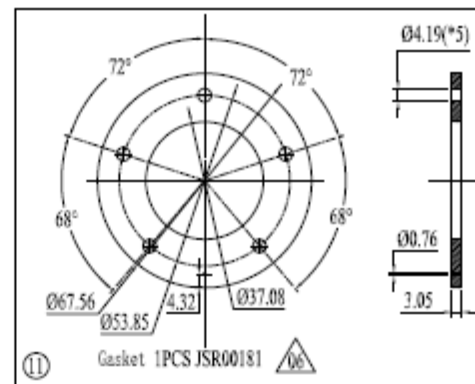
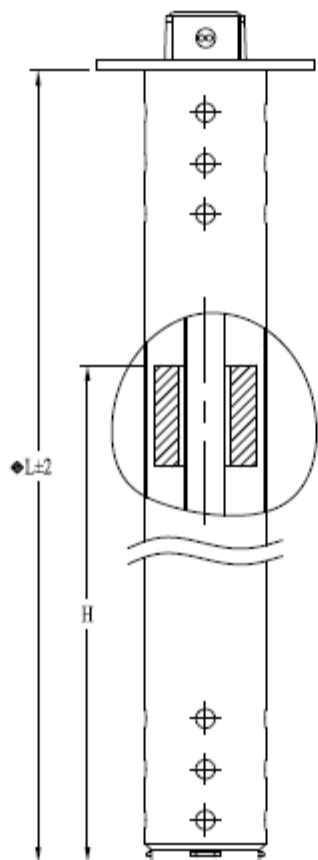


CONFIDENTIAL

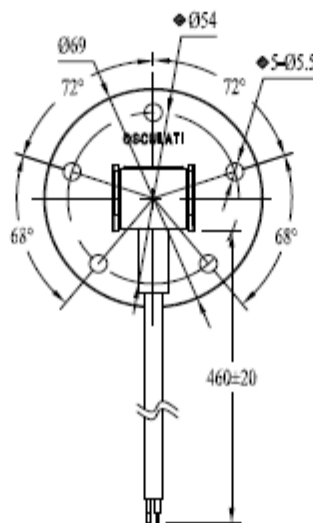
CI/QC CI CUSTOMER/INTERFACE	KPC FF FIT/FUNCTION
QC QUALITY/CHARACTERISTIC	SC SAFETY/COMPLIANCE

KEY PRODUCT CHARACTERISTICS	ISSUE	DATE	ZONE	REVISION HISTORY	DRAW
1. * * Indicates special characteristics related to safety;	02	Nov.14,2008		Change resistor/float/Alu cover text	Sumy
2. * * Indicates special characteristics related to customer interface;	03	Dec.22,2008	F3	Added Osculati Art NO.and bar code	MRI
3. * * Indicates critical characteristics defined by KUS;	04	Dec.23,2008		Change RUA table	Tony
4. Please see the list for Customer Special Characteristics	05	Dec.23,2008	E2	Change the screw	sky
	06	Dec.23,2008	F2	Change the Gasket	sky



Cover text
 5020248 → Osculati NO
 10-180 → OUTPUT
 DATE → YEAR-WEEK

OSculati ART. NO.	10-180 DATE	OSculati ART. NO.	10-180 DATE	OSculati ART. NO.	10-180 DATE	OSculati ART. NO.	10-180 DATE
5020248	10-180	5020238	10-180	5020232	10-180	5020228	10-180
L=480MM		L=380MM		L=320MM		L=280MM	
SIGNAL OUT		SIGNAL OUT		SIGNAL OUT		SIGNAL OUT	
R(ohm)	H(mm)	R(ohm)	H(mm)	R(ohm)	H(mm)	R(ohm)	H(mm)
181.2	>444	156.6	402	148.4	381	140.2	360
173	444	148.4	381	140.2	360	132	339
164.8	423	140.2	360	132	339	123.8	318
		132	339	123.8	318	115.6	297
		123.8	318	115.6	297	107.4	276
		115.6	297	107.4	276	99.2	255
		107.4	276	99.2	255	91	234
		99.2	255	91	234	82.8	213
		91	234	82.8	213	74.6	192
		82.8	213	74.6	192	66.4	171
		74.6	192	66.4	171	58.2	150
		66.4	171	58.2	150	50	129
		58.2	150	50	129	40	108
		50	129	40	108	30	87
		40	108	30	87	20	66
		30	87	20	66	10	47
		20	66	10	47		
		10	47				



TOLERANCE CLASS	FROM 0.5 UP TO 3	OVER 3 UP TO 6	OVER 6 UP TO 30	OVER 30 UP TO 120	OVER 120 UP TO 400	OVER 400 UP TO 1000
ISO 2768C	±0.2	±0.3	±0.5	±0.8	±1.2	±2

Technical requirements:

- Electrical characteristics:
 Rating power: P 125mW;
 Working current: I max. 300mA;
- H value in the table is the data that float moves downward from top of the sensor;
- Deviation of the resistance output: $\pm(1+R*1.5\%)\Omega$;
- Deviation allowed for H value: $\pm 5mm$;
- Working medium: gasoline, diesel, water, waste water (SUS 316), and alcohol;
- Working temperature: $-40 + 85^\circ C$
- Protection class: IP 65;
- Other technical requirements: take QC/T413-2002 as reference.

MATERIAL:	COLOUR:
ENGINEERED:	Jan.1,2015
CHECKED:	
APPROVED:	
PROJECTION	SCALE: 1:2
UNIT: mm	SHEET NO: 1 OF 1