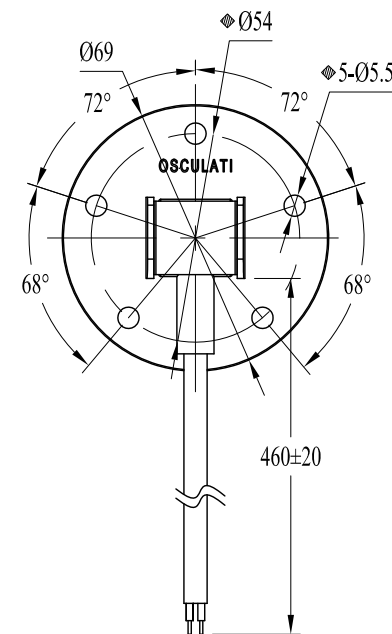
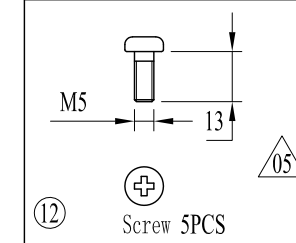
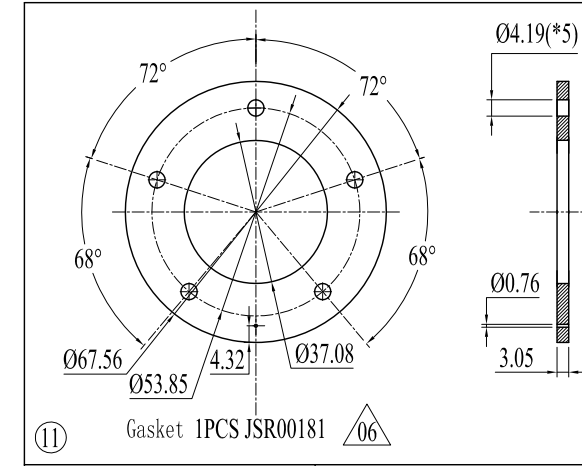
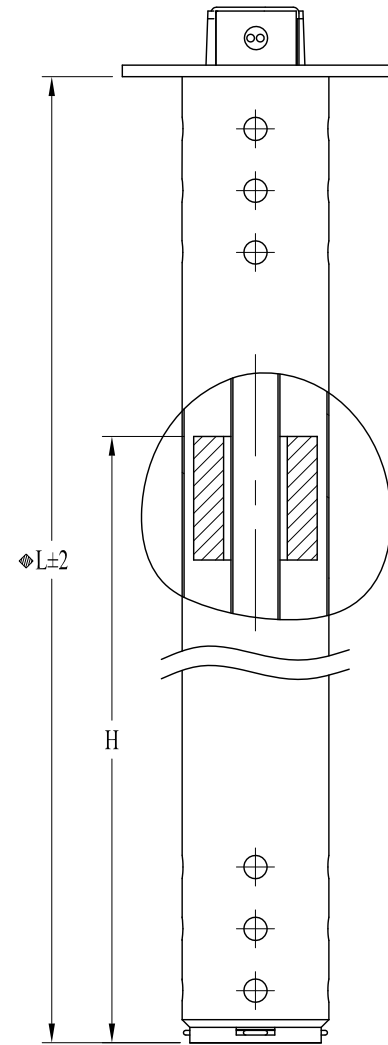


CONFIDENTIAL

| | |
|-------------------------------------|-----------------------------|
| CI/QC ○ CI CUSTOMER/INTERFACE | KPC ◇ FF FIT/FUNCTION |
| ○ QC QUALITY/CHARACTERISTIC | ⊙ SC SAFETY/COMPLIANCE |

| KEY PRODUCT CHARACTERISTICS | ISSUE | DATE | ZONE | REVISION HISTORY |
|---|-------|-------------|------|--------------------------------------|
| 1. "⊙" Indicates special characteristics related to safety; | 02 | Nov.14,2008 | | Change resistor/float/Alu cover text |
| 2. "◇" Indicates special characteristics related to customer interface; | 03 | Dec.22,2008 | F3 | Added Osculati Art NO,and bar code |
| 3. "★" Indicates critical characteristics | 04 | Dec.23,2008 | | Change RUA table |
| | 05 | Dec.23,2008 | E2 | Change the screw |
| | 06 | Dec.23,2008 | F2 | Change the Gasket |
| 4. Please see the list for Customer Special Characteristics | | | | |



Cover text

5020248 → Osculati NO
10-180 → OUTPUT
DATE → YEAR-WEEK

5020238
10-180
DATE

| OSCULATI ART. NO. 5020248 | | OSCULATI EAN BAR CODE. 8033137010422 | | OSCULATI ART. NO. 5020238 | | OSCULATI EAN BAR CODE. 8033137010415 | | OSCULATI ART. NO. 5020232 | | OSCULATI EAN BAR CODE. 8033137010408 | | OSCULATI ART. NO. 5020228 | | OSCULATI EAN BAR CODE. 8033137010392 | |
|------------------------------|-------|---|-------|------------------------------|-------|---|-------|------------------------------|-------|---|-------|------------------------------|-------|---|-------|
| L=480MM | | SIGNAL OUT | | L=380MM | | SIGNAL OUT | | L=320MM | | SIGNAL OUT | | L=280MM | | SIGNAL OUT | |
| R(ohm) | H(mm) | R(ohm) | H(mm) | R(ohm) | H(mm) | R(ohm) | H(mm) | R(ohm) | H(mm) | R(ohm) | H(mm) | R(ohm) | H(mm) | R(ohm) | H(mm) |
| 181.2 | >444 | 173 | 444 | 156.6 | 402 | 148.4 | 381 | 140.2 | 360 | 132 | 339 | 123.8 | 318 | 115.6 | 297 |
| 164.8 | 423 | 156.6 | 402 | 148.4 | 381 | 140.2 | 360 | 132 | 339 | 123.8 | 318 | 115.6 | 297 | 107.4 | 276 |
| 148.4 | 381 | 140.2 | 360 | 132 | 339 | 123.8 | 318 | 115.6 | 297 | 107.4 | 276 | 99.2 | 255 | 91 | 234 |
| 132 | 339 | 123.8 | 318 | 115.6 | 297 | 107.4 | 276 | 99.2 | 255 | 91 | 234 | 82.8 | 213 | 74.6 | 192 |
| 115.6 | 297 | 107.4 | 276 | 99.2 | 255 | 91 | 234 | 82.8 | 213 | 74.6 | 192 | 66.4 | 171 | 58.2 | 150 |
| 107.4 | 276 | 99.2 | 255 | 91 | 234 | 82.8 | 213 | 74.6 | 192 | 66.4 | 171 | 58.2 | 150 | 50 | 129 |
| 99.2 | 255 | 91 | 234 | 82.8 | 213 | 74.6 | 192 | 66.4 | 171 | 58.2 | 150 | 50 | 129 | 40 | 108 |
| 91 | 234 | 82.8 | 213 | 74.6 | 192 | 66.4 | 171 | 58.2 | 150 | 50 | 129 | 40 | 108 | 30 | 87 |
| 82.8 | 213 | 74.6 | 192 | 66.4 | 171 | 58.2 | 150 | 50 | 129 | 40 | 108 | 30 | 87 | 20 | 66 |
| 74.6 | 192 | 66.4 | 171 | 58.2 | 150 | 50 | 129 | 40 | 108 | 30 | 87 | 20 | 66 | 10 | 47 |
| 66.4 | 171 | 58.2 | 150 | 50 | 129 | 40 | 108 | 30 | 87 | 20 | 66 | 10 | 47 | | |
| 58.2 | 150 | 50 | 129 | 40 | 108 | 30 | 87 | 20 | 66 | 10 | 47 | | | | |
| 50 | 129 | 40 | 108 | 30 | 87 | 20 | 66 | 10 | 47 | | | | | | |
| 40 | 108 | 30 | 87 | 20 | 66 | 10 | 47 | | | | | | | | |
| 30 | 87 | 20 | 66 | 10 | 47 | | | | | | | | | | |
| 20 | 66 | 10 | 47 | | | | | | | | | | | | |
| 10 | 47 | | | | | | | | | | | | | | |

Technical requirements:

- Electrical characteristics:
Rating power: P 125mW;
Working current: I max. 300mA;
- H value in the table is the data that float moves downward from top of the sensor;
- Deviation of the resistance output: $\pm(1+R*1.5\%)\Omega$;
- Deviation allowed for H value: $\pm 5\text{mm}$;
- Working medium: gasoline, diesel, water, waste water (SUS 316), and alcohol;
- Working temperature: $-40 \sim +85^\circ\text{C}$
- Protection class: IP 65;
- Other technical requirements: take QC/T413-2002 as reference.

| | | | | | |
|-------------|--|----------------|--|------------------|--|
| MATERIAL: | | COLOUR: | | PROJECT: | |
| ENGINEERED: | | Jan.1,2015 | | SSH Sensor | |
| CHECKED: | | | | PART NAME: | |
| APPROVED: | | | | SSH-250 | |
| PROJECTION | | CUSTOMER NO: - | | DRAWING NO: | |
| SCALE: 1:2 | | SIZE: A3 | | 126756 | |
| | | | | ISSUE: | |
| | | | | 06 | |
| | | | | UNIT: mm | |
| | | | | SHEET NO: 1 OF 1 | |

| TOLERANCE CLASS | FROM 0.5 UP TO 3 | OVER 3 UP TO 6 | OVER 6 UP TO 30 | OVER 30 UP TO 120 | OVER 120 UP TO 400 | OVER 400 UP TO 1000 |
|-----------------|------------------|----------------|-----------------|-------------------|--------------------|---------------------|
| ISO 2768C | ± 0.2 | ± 0.3 | ± 0.5 | ± 0.8 | ± 1.2 | ± 2 |