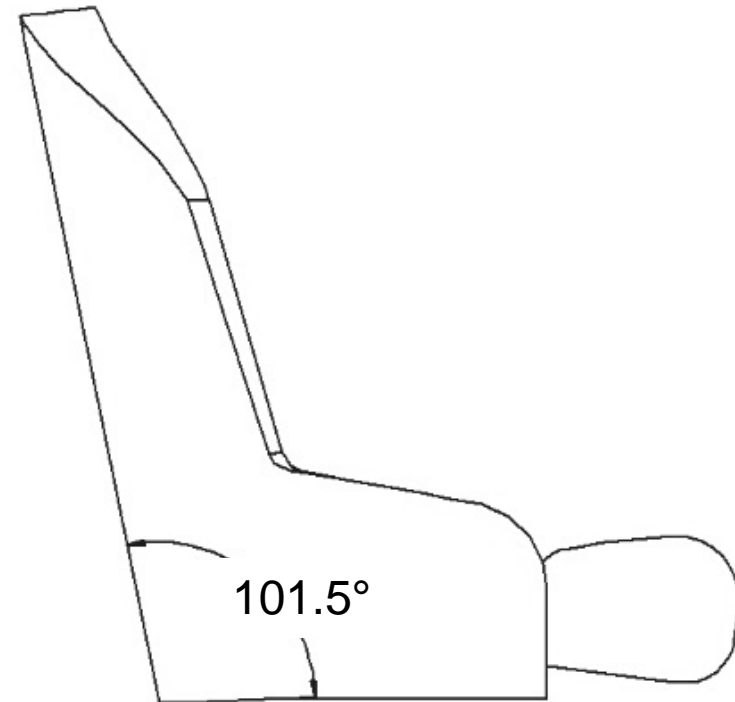
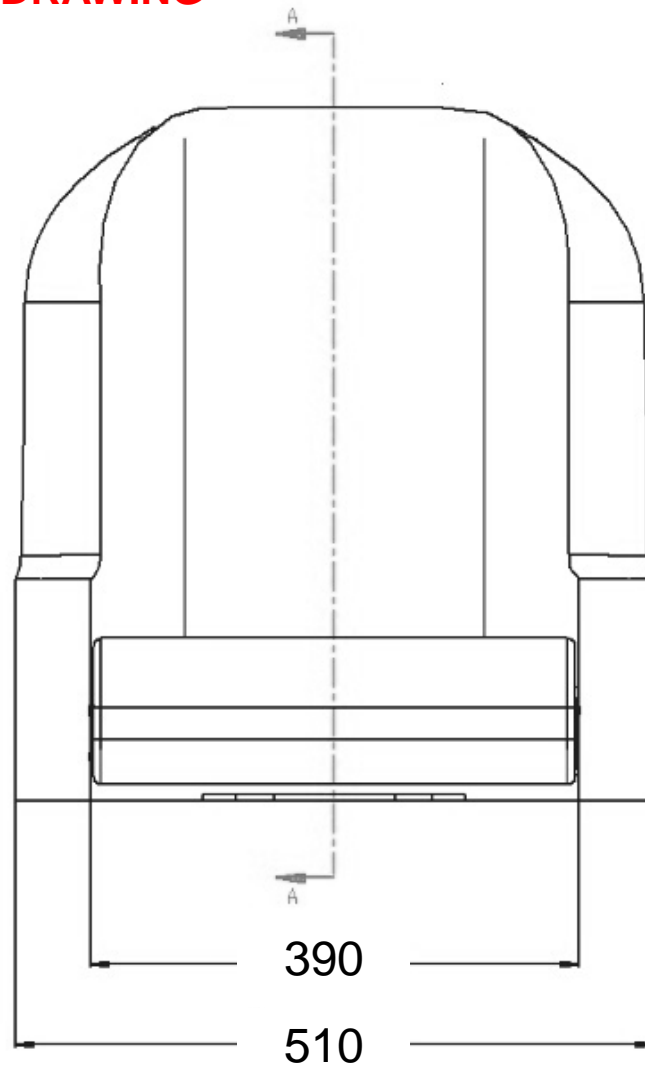


Seat

Technical drawing
48.410.05



DO NOT SCALE DRAWING



Seat

Technical drawing
48.410.05



DO NOT SCALE DRAWING

