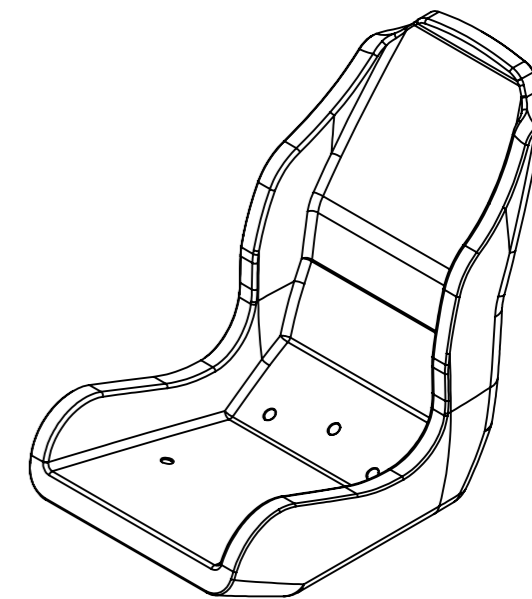
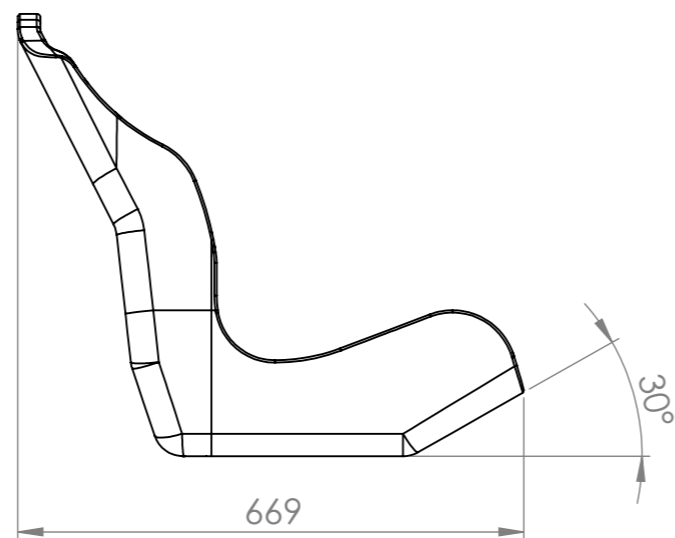
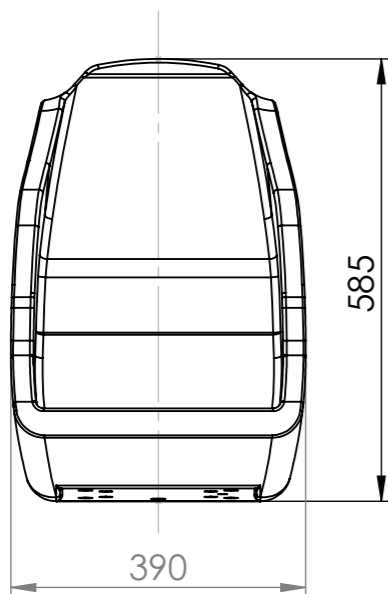


DETAIL A
SCALE 1 : 5



DO NOT SCALE DRAWING		REVISION
OSCULATI		
TITLE: Scocca anatomica per sedili Ergonomic seat frame		
WEIGHT:		
DWG NO. 48.680.14		A3
SCALE:1:10	SHEET 1 OF 1	