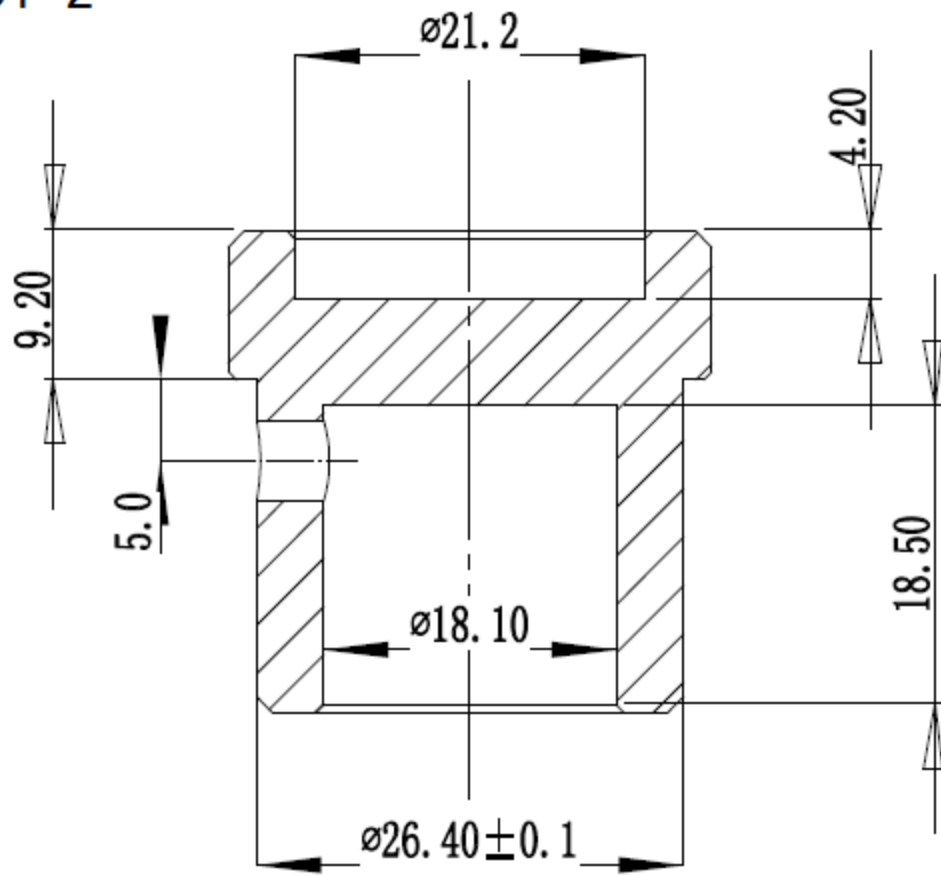


41.324.30/31- 2



B-B
1.5 : 1

