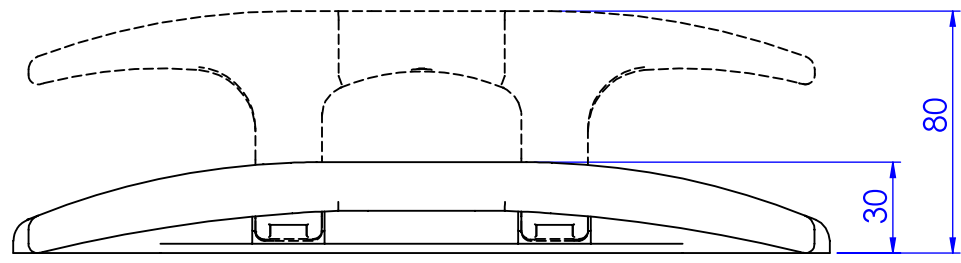
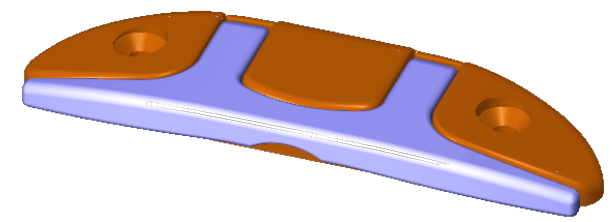
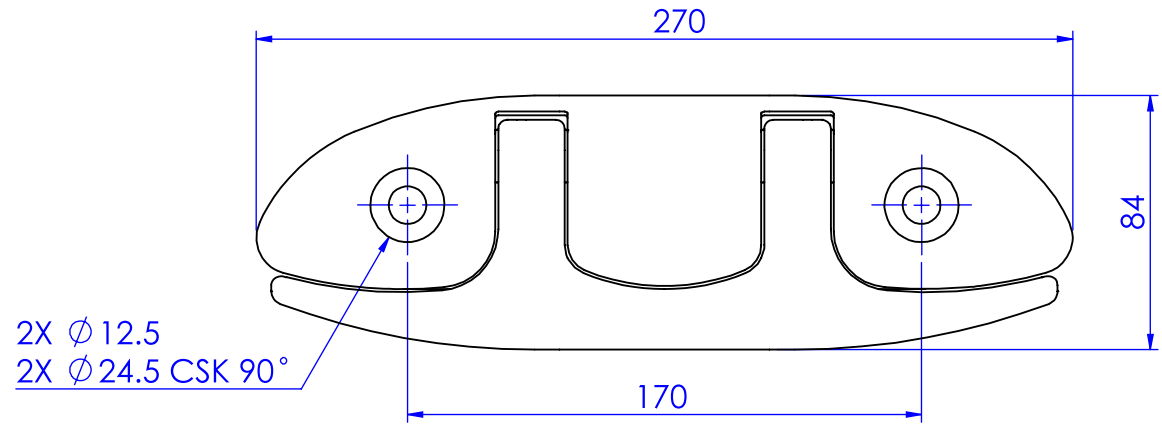


REVISIONS			
REV.	DESCRIPTION	BY	DATE
A	Initial release		



DIMENSIONS ARE IN MM			NAME	DATE	PART NO.	REV.
TOLERANCES : ± 2.5 ONE PLACE DECIMAL : ± 1.0			DRAWN			
SIZE	DO NOT SCALE DRAWING	A4	SCALE 1:5	MATERIAL :		
A4						