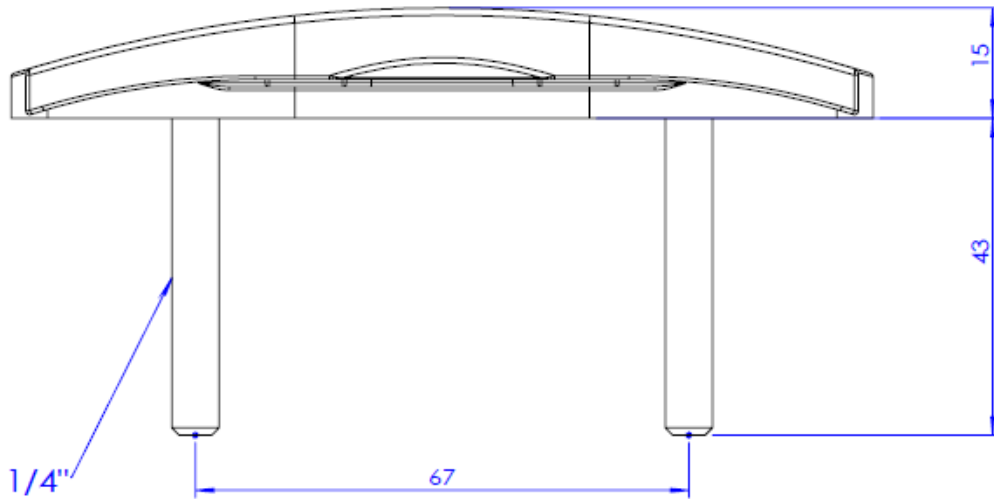
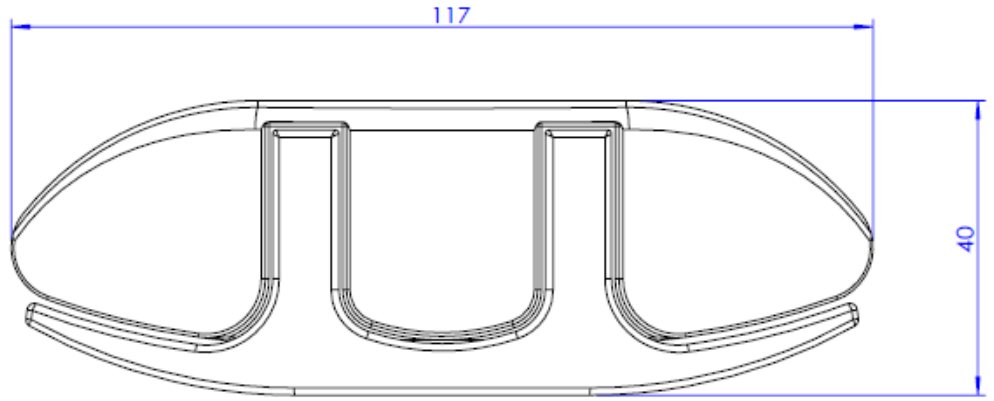


REVISIONS			
REV.	DESCRIPTION	BY	DATE



DIMENSIONS ARE IN MM			NAME	DATE	REV.
TOLERANCES: ± 1 ONE PLACE DECIMAL ± 0.5		DRAWN			A
DO NOT SCALE DRAWING		CHECKED			MATERIAL : CF8M
		A4 SCALE 1:1	PART NO. / DWG NAME		
		列印日期: 2017/5/5			