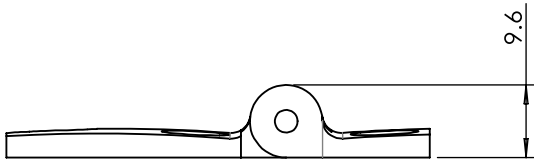
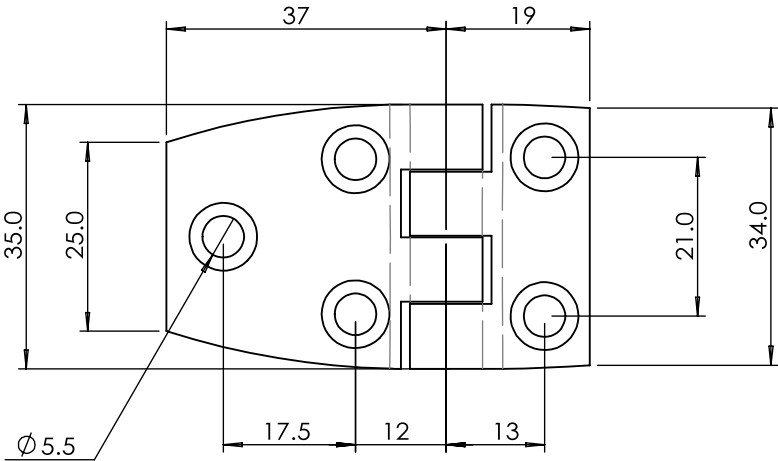



REVISIONS			
REV.	DESCRIPTION	BY	DATE



DIMENSIONS ARE IN MM			NAME	DATE	REV.
TOLERANCES : $\pm 1,0$ ONE PLACE DECIMAL : $\pm 0,5$			DRAWN	09/28/2020	
SIZE	DO NOT SCALE DRAWING	A4	SCALE 1:1	MATERIAL : PA+G/F	A
A4		DWG NAME :			