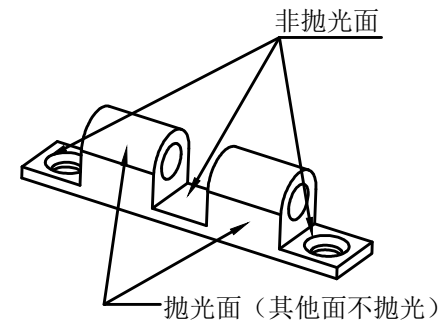
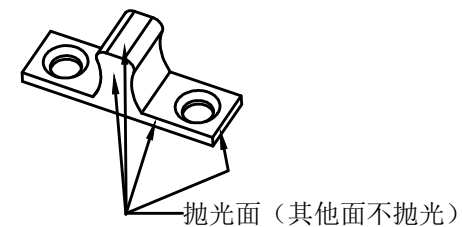
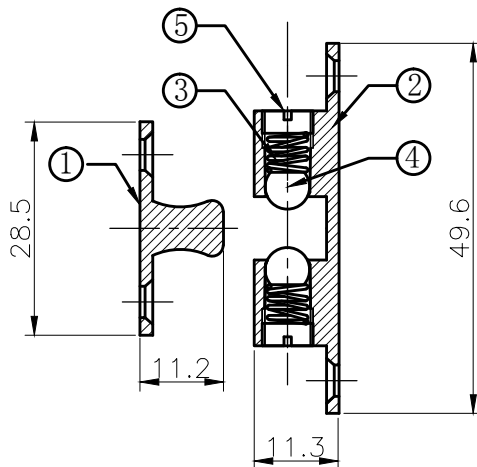
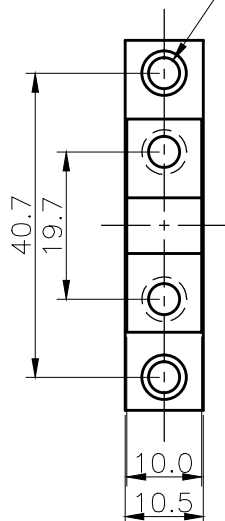


For your approval

4- $\phi$ 4.2 82°  
C'SUNK TO  $\phi$ 6.0



|   |            |      |   |        |  |
|---|------------|------|---|--------|--|
| 5 | 5030190005 | 止付螺丝 | 2 | SUS304 |  |
| 4 | 5030190004 | 钢珠   | 2 | SUS304 |  |
| 3 | 5030190003 | 弹簧   | 2 | SUS304 |  |
| 2 | 5030190002 | 门吸母件 | 1 | SUS304 |  |
| 1 | 5030190001 | 门吸公件 | 1 | SUS304 |  |

Unless otherwise specified; tolerances are:

1. Wall Thickness =  $\pm 5\%$
2. Angles =  $\pm 2^\circ$
3. Profile dimensions fit : ISO JS13

★ INDICATES "CRITICAL TO QUALITY" DIMENSION  
REMOVE BURRS AND SHARP CORNERS 0.10-0.25

|             |                |           |                 |                 |  |
|-------------|----------------|-----------|-----------------|-----------------|--|
| Drawn:      | Date: 08.12.25 |           |                 |                 |  |
| Checked:    | Date:          | M'TL:     | Scale:          | DWG. NO.:       |  |
| Approved:   | Date:          | Weight: g | Dimensions: M/M |                 |  |
| Projection: | A4H            | Finish:   | SHEET OF        | Customer's No.: |  |

| Ecn | Revisions | Description | Date | Revised |
|-----|-----------|-------------|------|---------|
|     |           |             |      |         |