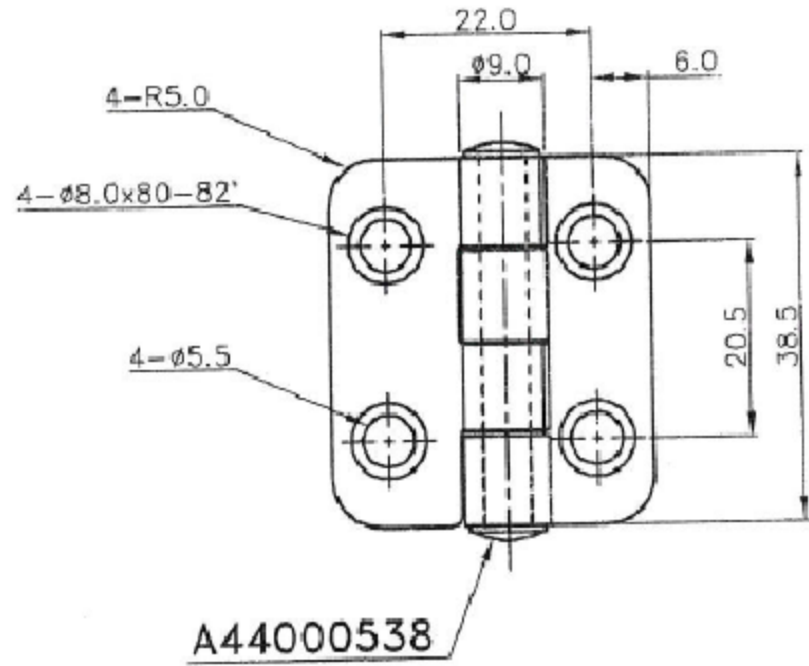
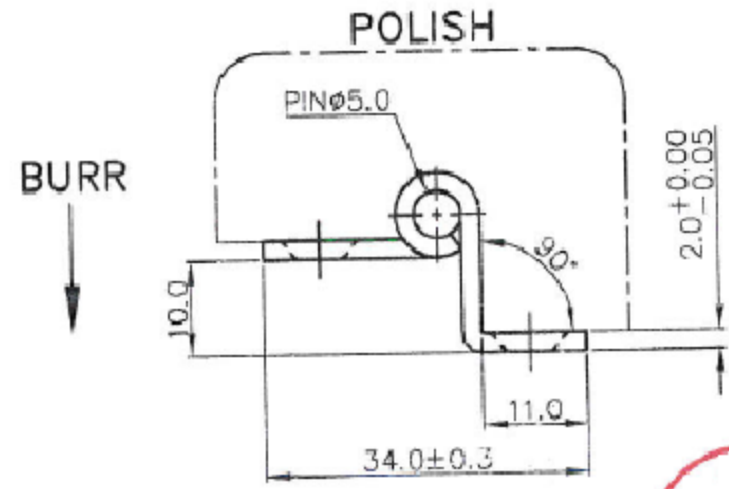


A7



A6



**APPROVE**  
31 / 12 / 1999

10. FEB 2010

A6	1
A7	1
USE FOR DWG. NO.	QUANTITY

DRAWING BY: POY		TITLE : 38.441.59	
DATE: 08/09/1999		CUSTOMER :	
CHECKED BY: PK.		REVISION : A	
DATE: 05/02/2010		MATERIAL : #304 2.0t	
SCALE: 1:1		DWG. NO. : A7,A6	
TOLERANCE		ERP	
MM.		05/02/10	
0.0 ±0.13			
0.00 -			