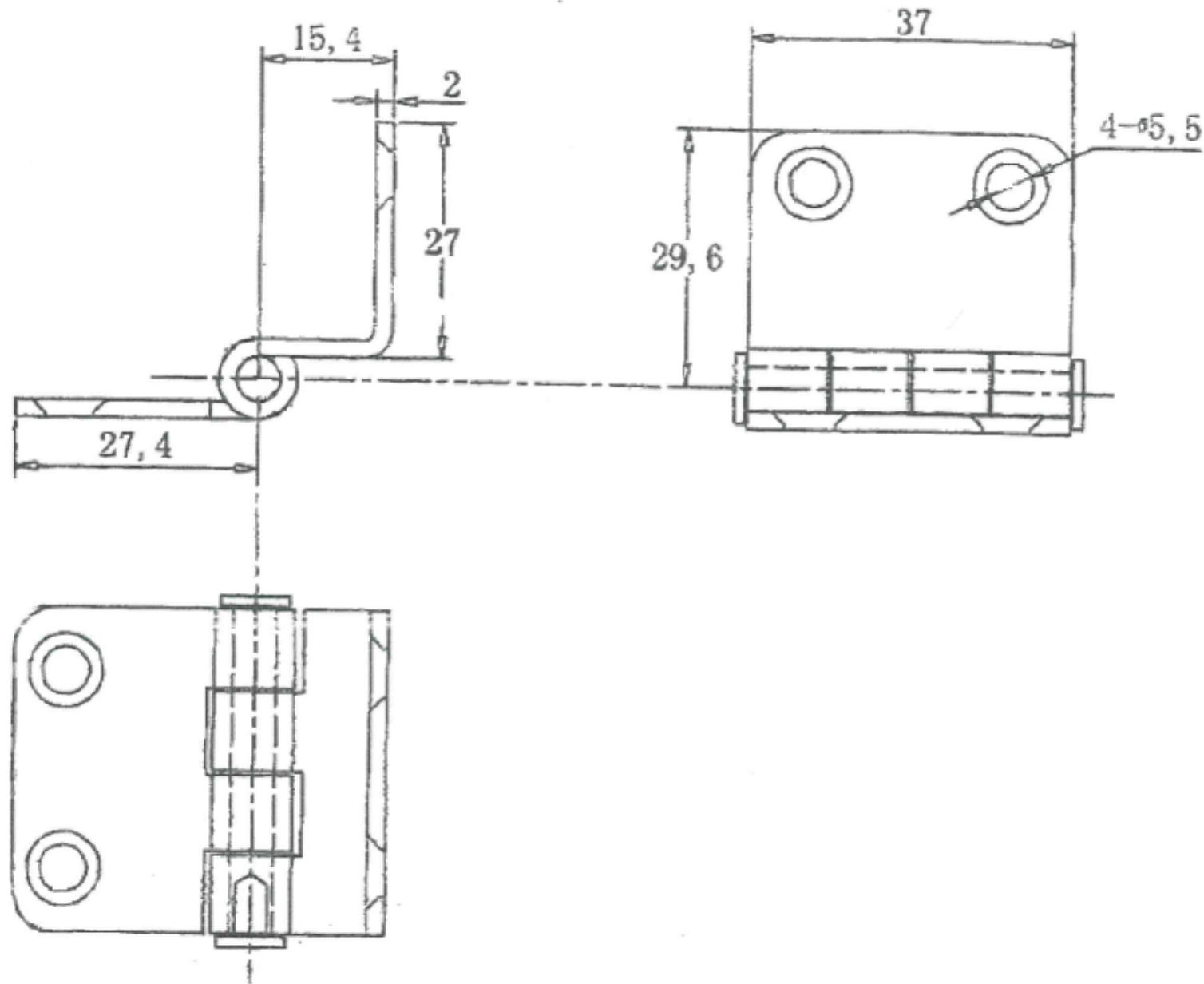


Revision History		
Rev	Description of change	Effective Date



Tolerance: ISO 2768-m Unless Otherwise Specified		Date		
	DRW :	30/09/2008	Cust Art No : 38.441.55	
	CHK :	30/09/2008	Drawing No: 38.441.55	Scale : 1:1
	Material : AISI 304	Description:		Sheet: 1 of 1
Unit : mm	Finishing : EP + Mirror Polish	Hinge		Rev: 0

Do not scale drawing