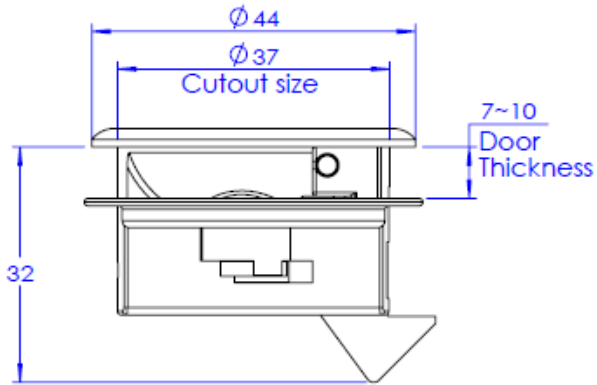
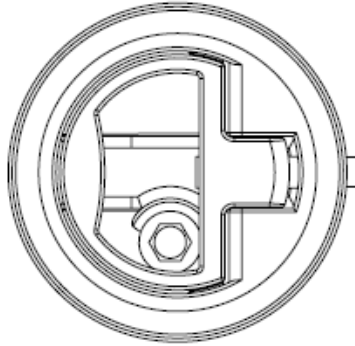


REVISIONS				
REV.	DESCRIPTION	BY	DATE	APP.



DIMENSIONS ARE IN MM TOLERANCES: ± 1 ONE PLACE DECIMAL ± 0.5 DO NOT SCALE DRAWING		NAME	DATE	REV.
	DRAWN			
	CHECKED			MATERIAL :
	A4 SCALE 1:1	PART NO. / DWG NAME		