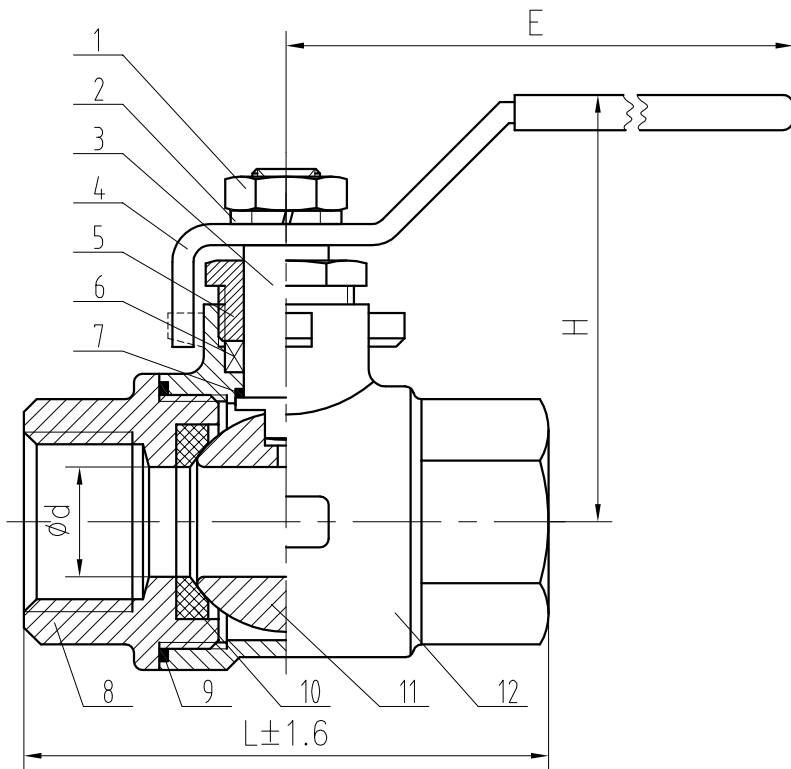


1/4"-4"Q₂11F-1000pP/R



MAIN PARTS AND MATERIALS

NO.	PART NAME	MATERIAL	NO.	PART NAME	MATERIAL
1	Nut	304/316	7	Thrust Washer	PTFE
2	Spring Washer	304/316	8	Cap	WCB/CF8/CF8M
3	Stem	304/316	9	Gasket	PTFE
4	Handle	201	10	Seat	PTRE/RPTFE
5	Gland Nut	304/316	11	Ball	304/316
6	Packing	PTFE	12	Body	WCB/CF8/CF8M

CONFIGURATION DIMENSION

ITEM SIZE	1/4"	3/8"	1/2"	3/4"	1"	1 1/4"	1 1/2"	2"	2 1/2"	3"	4"
d	10.5	12	15	20	25	32	38	49	62	76	96
H	50	50	60	64	71	78	86	95	130	148	180
E	95	95	95	115	135	150	160	180	230	250	285
L	54	54	62	71	81	95	106	120	150	164	200

Please note: This map for reference only.

					ASSEMBLY DRAWING	ALLVALVE GROUP	
						2PC ball valve	
							1/4"-4"Q ₂ 11F-1000pP/R