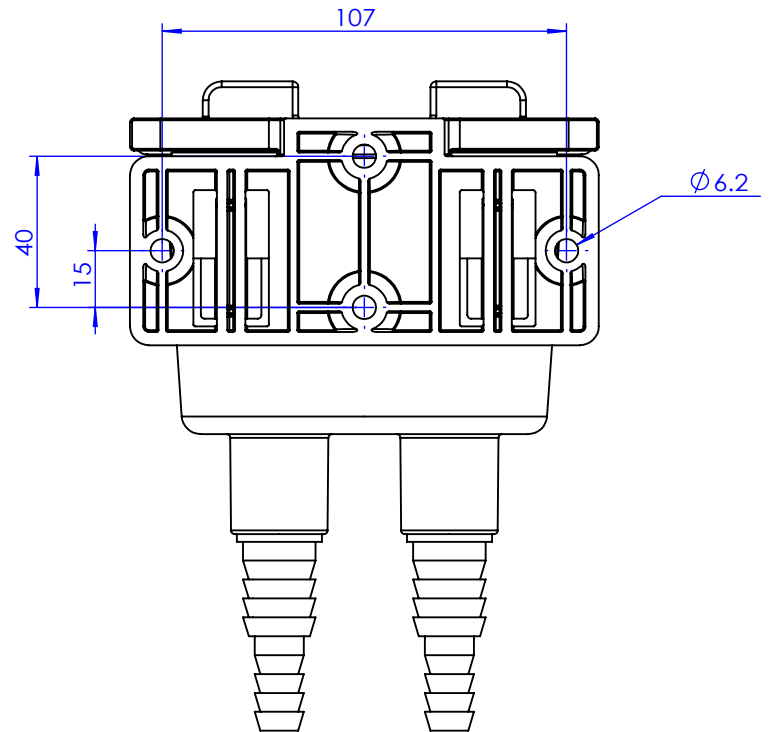
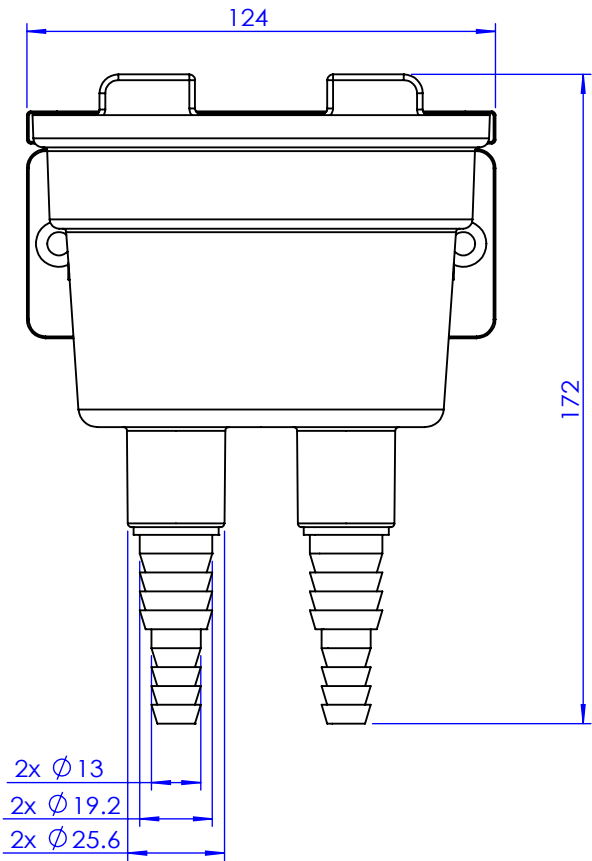


REVISIONS			
REV.	DESCRIPTION	BY	DATE



DIMENSIONS ARE IN MM		NAME	DATE	MATERIAL :	REV.
	DRAWN	<b>BAIYI</b>	09/03/2013		
TOLERANCES: ±	CHECKED			SIZE	DWG. NAME.
ONE PLACE DECIMAL ±				<b>A4</b>	
TWO PLACE DECIMAL ±				PART NO.	
DO NOT SCALE DRAWING	體積 : cm³ A4 SCALE 1:1 列印日期: 2020/5/28				