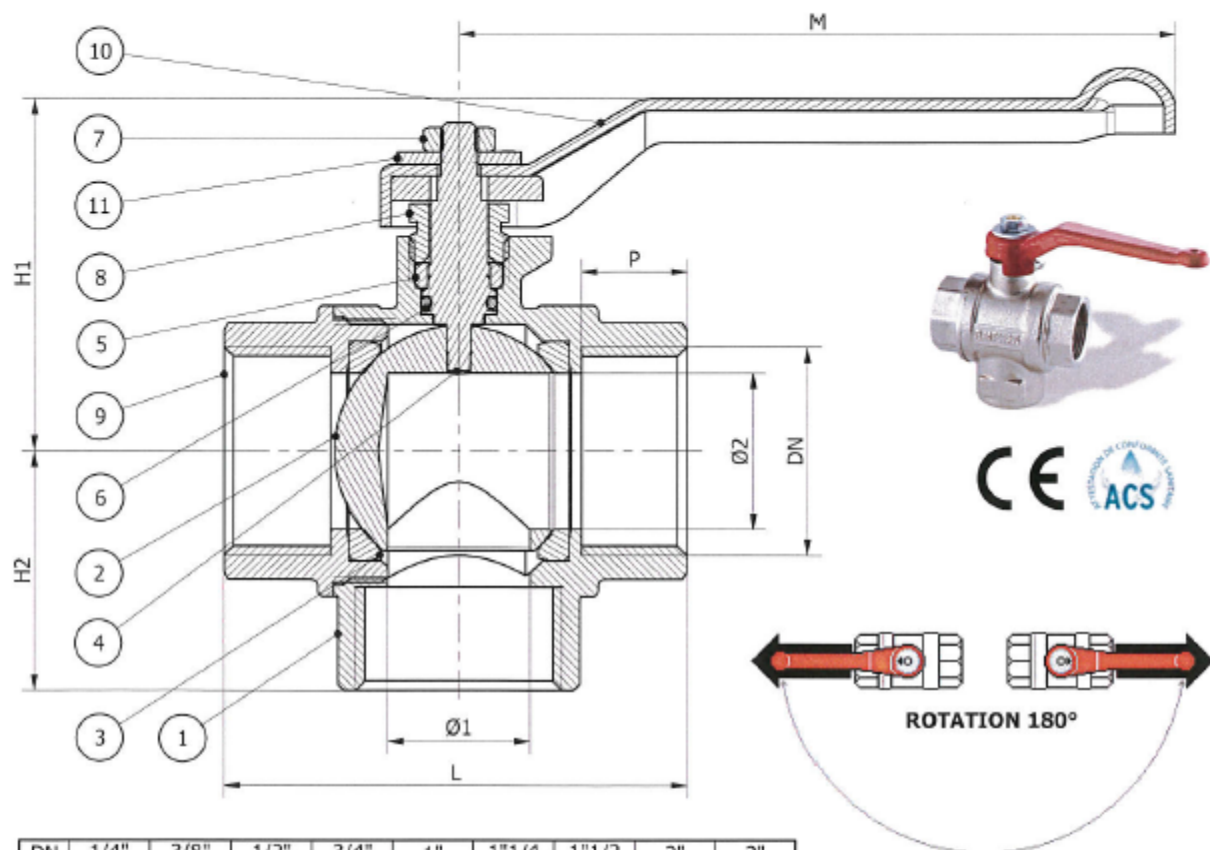


17.229.00-05

DIVERTER NICKELED BRASS BALL VALVE - "L" PORT



DN	1/4"	3/8"	1/2"	3/4"	1"	1"1/4	1"1/2	2"	3"
L	53	53	54.5	66.5	74.5	85	97	109	177
Ø1	10	10	12	18	23	30	37	46	80
Ø2	10	10	12	20	25	32	39	48	80
P	14	14	14	16	17	18	19	21	25
H1	48	48	48	50	55	68	73	79	129
H2	31	30.5	30.5	34.5	38	46	53	62.5	115
M	92	92	92	92	115	150	150	150	240
PN	25								

IN ACCORDING TO DIRECTIVE PED 2014/68/EU

Ref.	Parts	Material	Q.ty
1	Body	EN12420-CW617N-nickel	1
2	Ball	EN12164-CW614N-chromium plated	1
3	Seat	P.T.F.E.	2
4	Pushrod	EN12164-CW614N	1
*5	Gasket	P.T.F.E.	1
6	O-Ring	FPM (Viton)	1
7	Nut	UNI 7356-CB4FFzinked	1
8	Nut	EN12164-CW614N	1
9	Sleeve	EN12420-CW617N-nickel	1
10	Lever	EN1011-DD13-red painted	1
11	Flux indicator	EN7639-SGALSI	1

*: absent for measure 3" (seal with two O-rings)

STANDARD VALVE FEATURES

Working temperature : MIN. -10°C MAX. +100 °C
 Max pressure : 25 bar
 Threaded ends : ISO 228/1

SPECIAL EXECUTIONS ON REQUEST

O-Ring in : EPDM/FKM/NBR Seats: PTFE + 25% CARBOGRAPYTE/
 Valve : CR brass material PTFE + 25%GLASS
 Personal lever