

**INLINE BLOWER**

Certificated by ISO 8846-Direction CE94/25N °3016808



- Compact and simple design
- Flexible installation
- Low power consumption
- Quiet operation
- Meets ISO 8846 EN 55014 standards
- Five blade design maximizes flow and performance
- Long motor lifetime from powerful airflow colling.

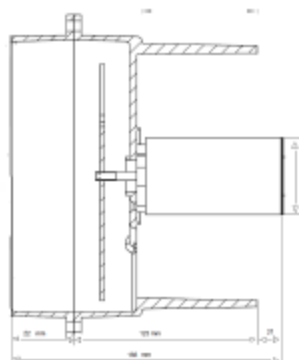
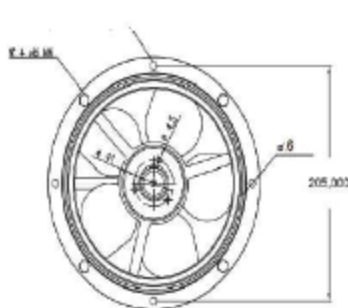
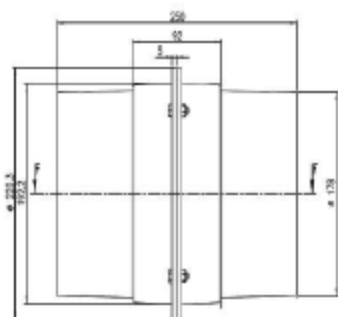
PART. N.	VOLT	AMP	STATIC PRESSURE	FLOW MC/H	HOSE	DIMENSIONS
16.108.01	12	5	30 mm h2O	750 mc/h	178 mm	220x250 mm
16.108.02	24	3	30 mm h2O	750 mc/h	178 mm	220x250 mm
16.108.11	12	5	30 mm h2O	750 mc/h	178 mm	220x160 mm
16.108.12	24	3	30 mm h2O	750 mc/h	178 mm	220x160 mm

A modern inline blower utilizing advanced fan blade design techniques suitable for bulkhead mounting and for receiving 178 mm. diameter hoses.

Matromarine has developed a blower system that matches air flow of existing in-line blowers at a significantly reduced noise level.

The first vane axial-flow bilge blower designed using aerospace technology to maximize performance. No other bilge blower in the industry provides such a powerful system output at such a low power input in a compact size.

For added durability, Matromarine incorporates an engineered plastic housing that resists deformation during installation and prevents blade from housing interference.

**WARNING**

**Explosion hazard. Gasoline vapors can explode. Before starting engine, operate blower for 4 minutes and check engine compartment bilge for gasoline vapors. Run blower below cruising speed. Failure to do so can result in injury or death.**

**WIRING:** Use stranded copper wire. For lengths up to 25 feet (7.6 in) from power source: Use 2 mm. wire for 12 volt and 1.5 wire for 24 volt. Use larger wire for longer lengths. Circuit must be protected with a fuse. Suggested fuse sizes are listed in the specification table. Fuse size: 7 Amp