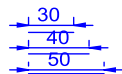
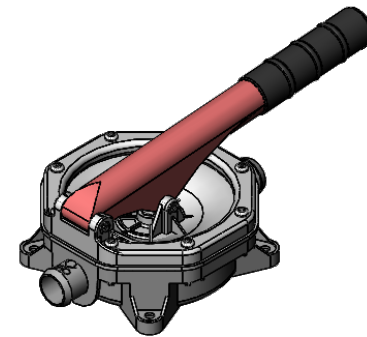
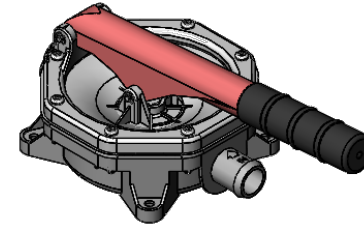
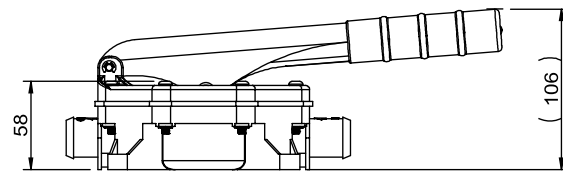
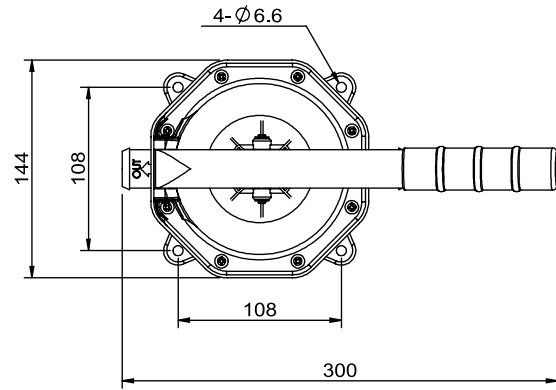


REVISIONS				
REV.	DESCRIPTION	BY	DATE	APPD



DIMENSIONS ARE IN MM		NAME		DATE		PART NO.		REV.
TOLERANCES: ±		DRAWN		2020/05/08				A
ONE PLACE DECIMAL ±		CHECKED						
SIZE	DO NOT SCALE DRAWING	A4 SCALE 1:5		MATERIAL :		DWG NAME : HAND PUMP		
A4		2020/5/8						