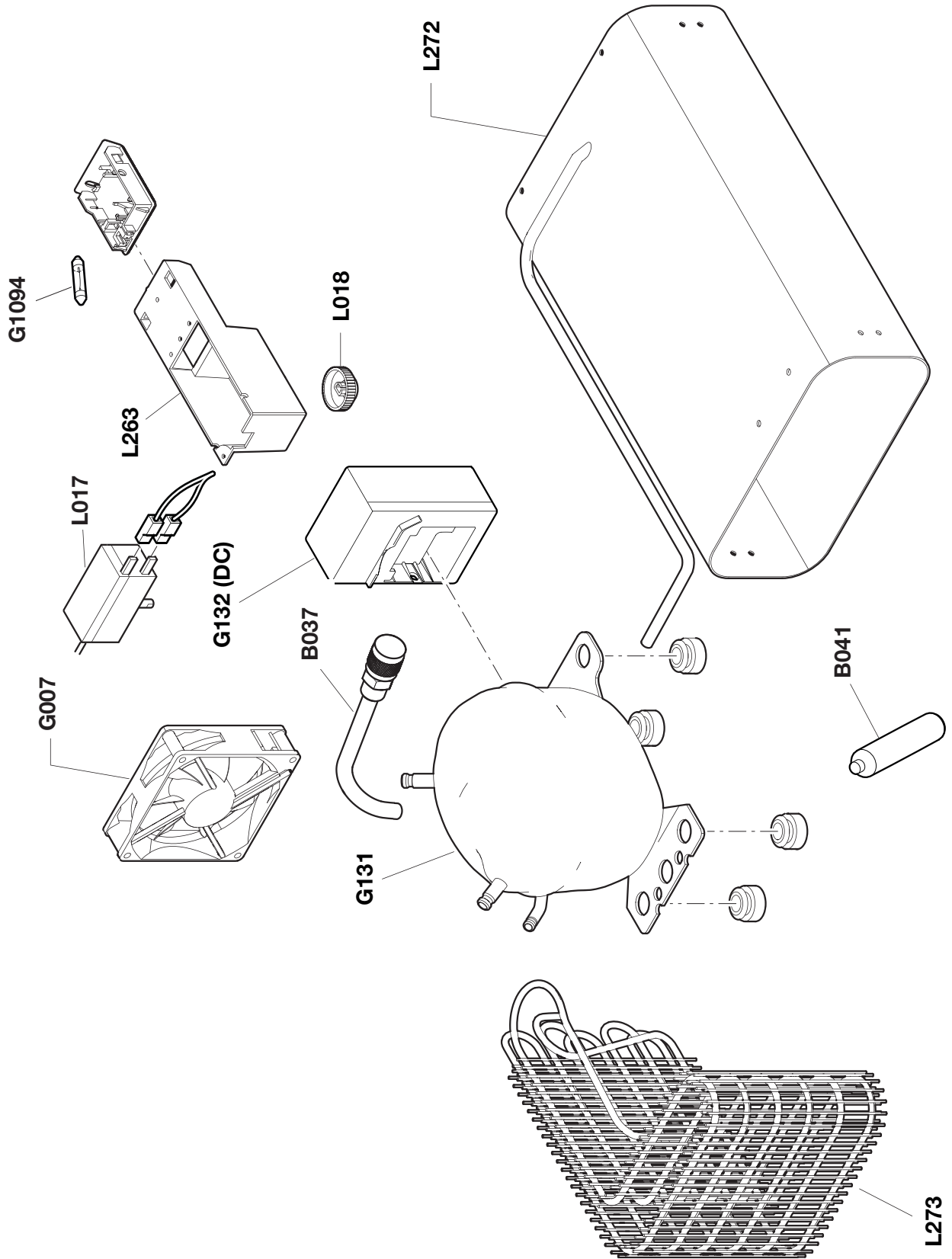




INDEL B P/N	DESCRIPTION
F160	Drawer
G1620	Handle
L249	Door (with balcony)
L252	Evaporator Door
L253	Ice cube container
L255	Upper Hinge
L256	Lower Hinge
L257	Lower Door Support
L262	Evaporator Frame
L265	Bottle Holder
L266	Support for Balcony
L270	Drip Tray
L289	Balcony
L290	Grid
L291	Top
L292	Upper Grid
L293	Metal retainer
L294	Glass Shelf





INDEL B P/N	DESCRIPTION
B037	Loading Pipe with Valve
B041	Filter
G007	Fan
G131	Compressor
G132	ECU
G1094	Light Bulb
L017	Thermostat
L018	Thermostat Knob
L263	Ceiling Light
L272	Evaporator
L273	Condenser

