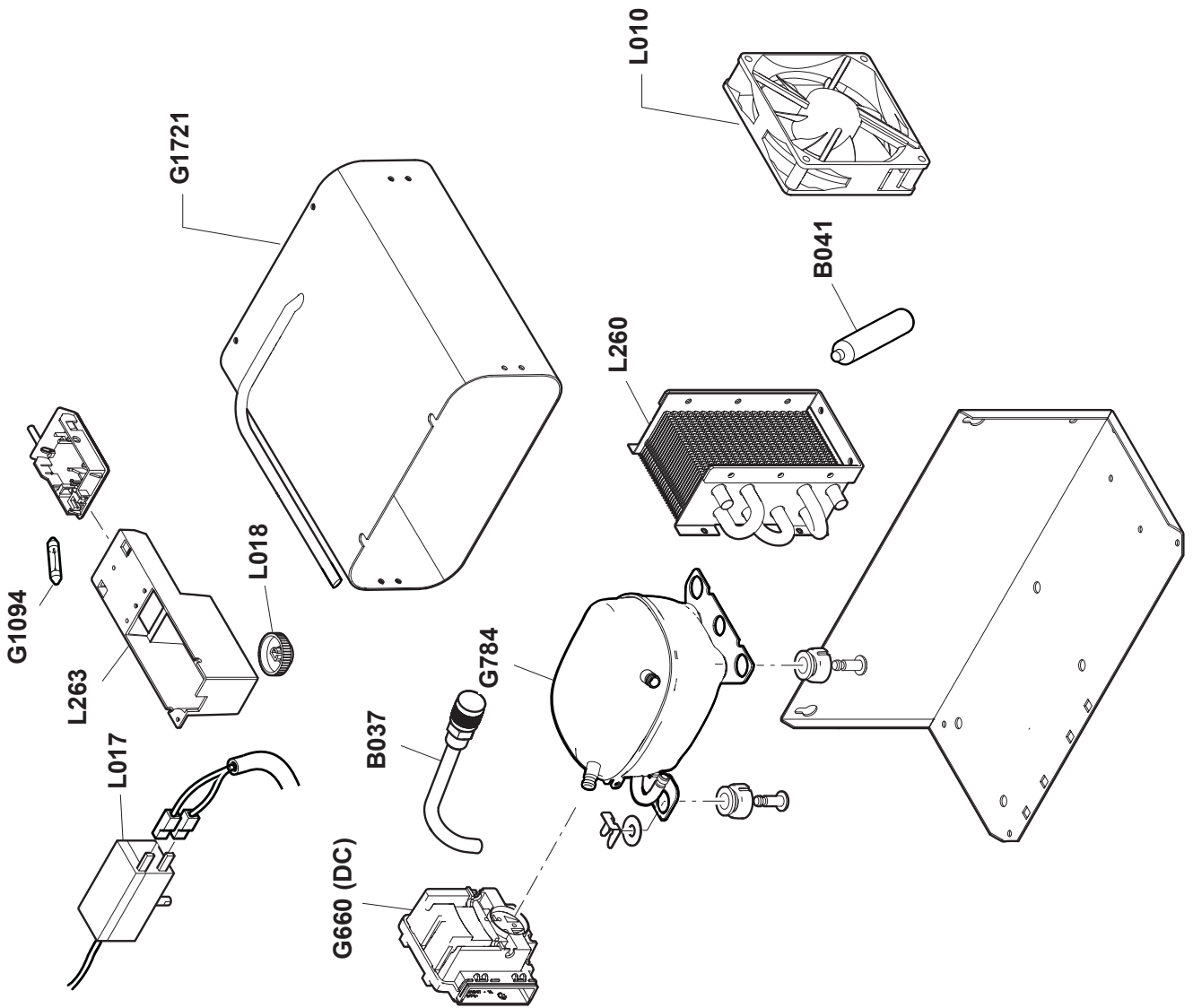




INDEL B P/N	DESCRIPTION
G1620	Handle
L245	Door (with balcony)
L250	Bottom Balcony
L251	Bottom Metal Retainer
L252	Evaporator Door
L253	Ice cube container
L254	Drip Tray
L255	Upper Hinge
L256	Lower Hinge
L257	Left Feet
L258	Grid
L261	Top
L262	Evaporator Frame
L318	Top Balcony
L320	Top Metal Retainer





INDEL B P/N	DESCRIPTION
B037	Loading Pipe with Valve
B041	Filter
G660 (DC)	ECU
G784	Compressor
G1094	Light Bulb
G1721	Evaporator
L010	Fan
L017	Thermostat
L018	Thermostat Knob
L260	Condenser
L263	Ceiling Light

