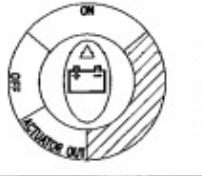
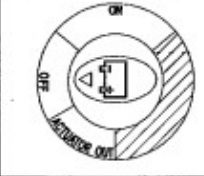
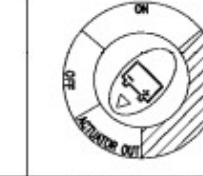
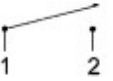
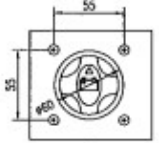
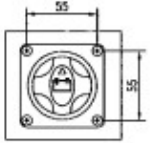
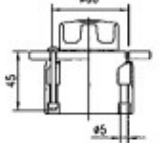
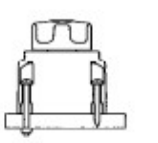
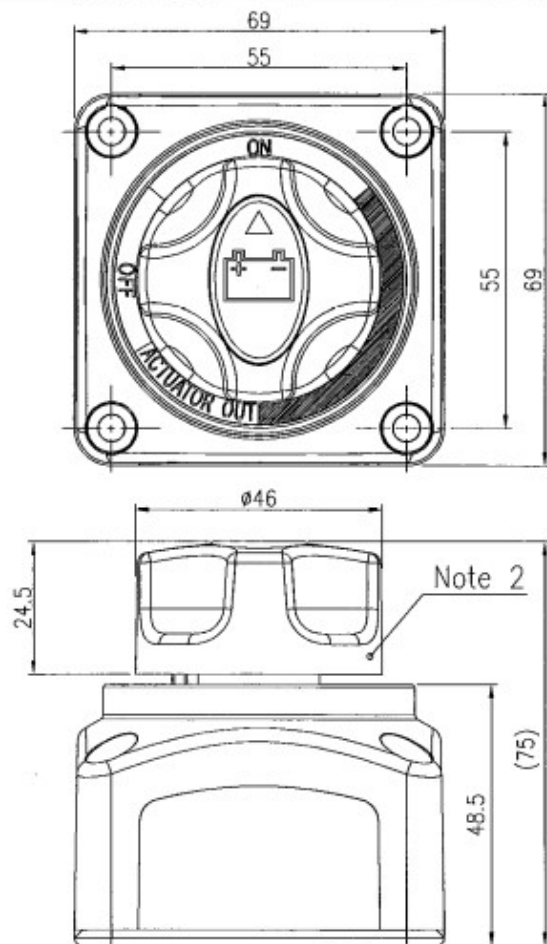


Continuous Rating	300 Amps 50VDC Max.	Mounting Hole		Actions Diagram			Circuit Diagram
Intermittent Rating	500 Amps	A	B				
Cranking Rating	1000 Amps 30 sec.			ON	OFF	Actuator out	
Contact Resistance	50m ohm Max.						
Insulation Resistance	DC 1000V 100M ohm Min.						
Dielectric Strength	DC 2000V 1 minute						
	AC 1000V 1 minute						
Operation Temperature	-20°C~80°C						
Switch Function	ON/OFF/OUT						
Actuation Force	9±3 Kgf-cm						



Ingress Protection : IPX8
(1.8M/30minutes)
Only for operating surface

Material :

Actuator : PC/ABS
Housing,Cover : PBT(UL flame:94V-0)
Contact, Screw : copper alloy
Nut : nickel plated brass
Washer : SUS316

Note:

- 1.Tolerance is $\pm 0.5\text{mm}(0.02\text{'})$ unless other notice
- 2.Actuator could be taken out at Actuator Out position
- 3.Side plates : 3PCS
- 4.Actuator Out to OFF position : Push and turn
For EO021 only

