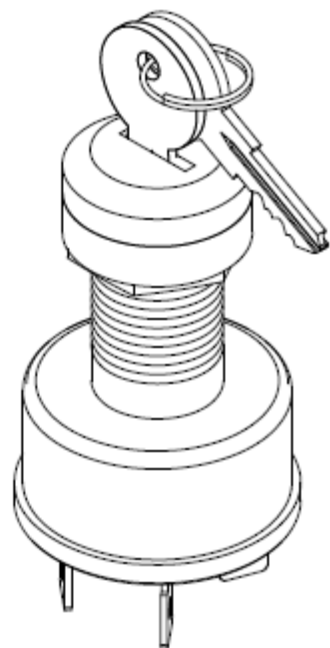
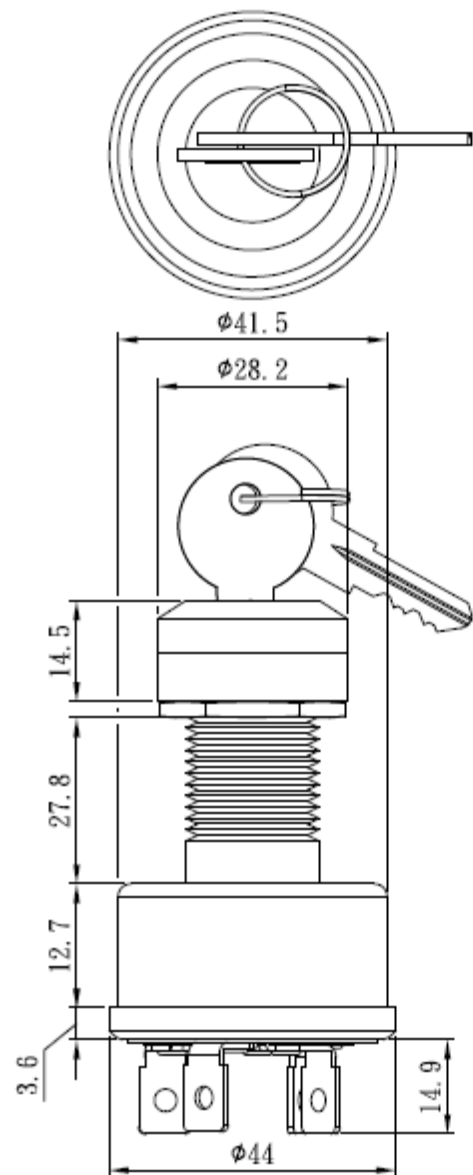
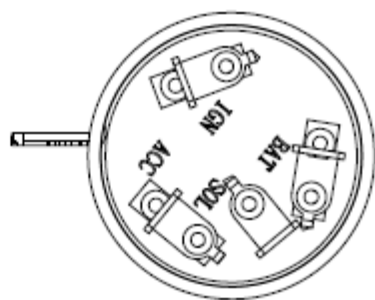
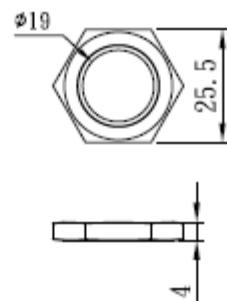
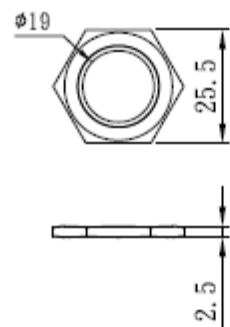
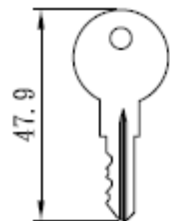


# 14.918.32



(LS-103)



Electrical Diagram

