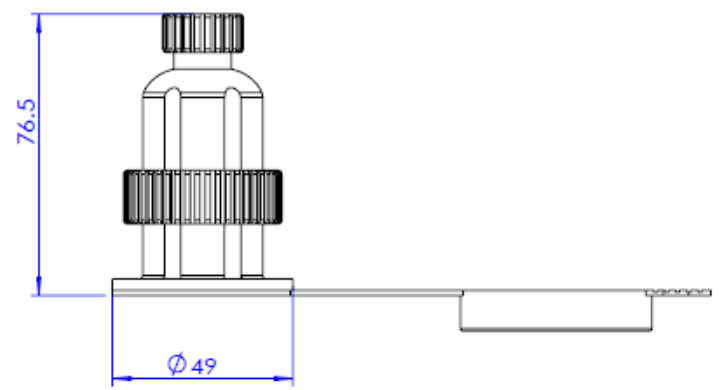
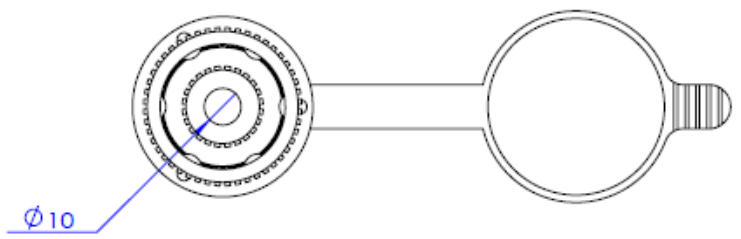


REVISIONS				
REV.	DESCRIPTION	BY	DATE	APPD



DIMENSIONS ARE IN MM TOLERANCES: ± 1 ONE PLACE DECIMAL ± 0.5 DO NOT SCALE DRAWING		NAME	DATE	REV.
	DRAWN		02/20/2017	A
	CHECKED			
	A4 SCALE 1:2	PART NO. / DWG NAME		

MATERIAL : ABS