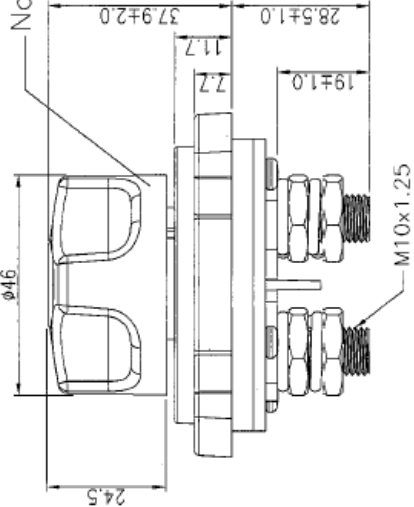
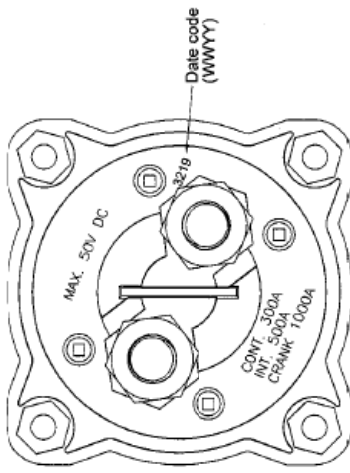
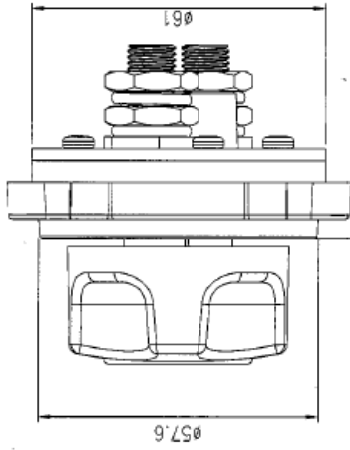
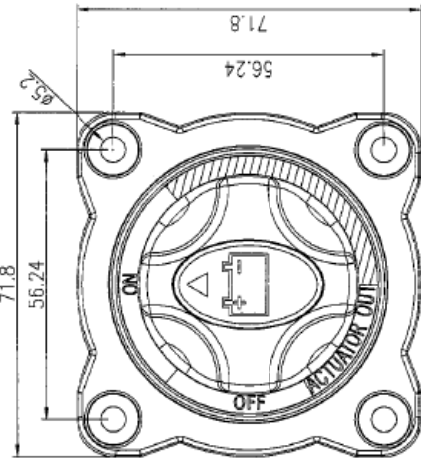


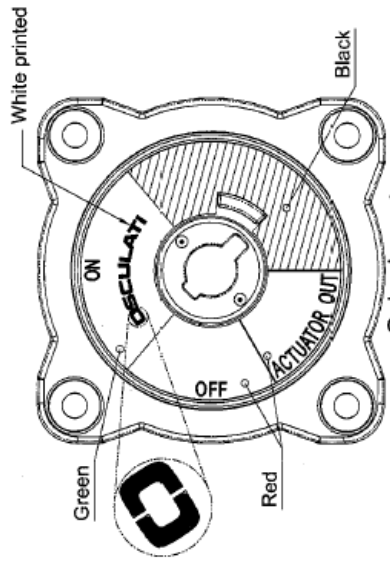
Continuous Rating	300 Amps 50VDC Max.	Mounting Hole		Circuit Diagram
Intermittent Rating	500 Amps			
Cranking Rating	1000 Amps 30 sec.			
Contact Resistance	50m ohm Max.			
Insulation Resistance	DC 1000V 100M ohm Min.			
Dielectric Strength	DC 2000V 1 minute AC 1000V 1 minute			
Operation Temperature	-20°C~80°C			
Switch Function	ON/OFF/OUT			
Actuation Force	9±3 Kgf-cm			



Note 2 Ingress Protection : IP68  
(1.8M/30minutes)  
Only for operating surface

Material :  
Actuator,Housing,Cover : PBT(UL flame:94V-0)  
Contact, Screw : copper alloy  
Nut : nickel plated brass  
Washer : SUS316

Note:  
1.Tolerance is ±0.5mm(0.02") unless other notice  
2.Actuator could be taken out at Actuator Out position  
3.Actuator Out to OFF position : Push and turn



Osculati pack : white box + barcode label