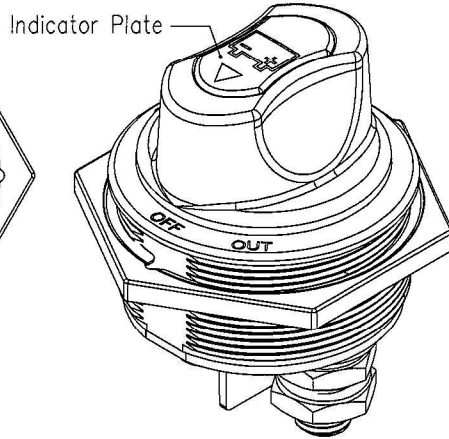
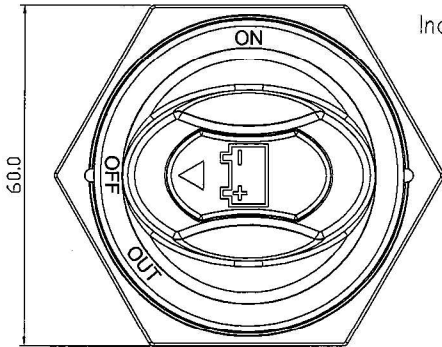


Continuous Rating	300Amps 32VDC Max.		Circuit Diagram	
Intermittent Rating	450 Amps		OFF	ON
Cranking Rating	1000 Amps 30 seconds			
Contact Resistance	50m ohm Max			
Insulation Resistance	DC 500V 100M ohm Min			
Dielectric Strength	AC 1000V 1 minute, DC 2000V 1 minute			
Operation Temperature	-30°C~+60°C			
Switch Function	2P SPST OFF-ON			

Actuator can be taken out



***MATERIAL:**

- Housing: Black, PBT+15%GF
- Actuator: Red, PBT+15%GF
- Indicator Plate: White, ABS
- Bottom: Black, PBT+15%GF
- Fixing Nut: SUS304
- Bolt: Copper
- Hex Nut: Ni-plated, Brass
- Spring Washer: SUS304
- *Ingress Protection: IP56 for panel seal

