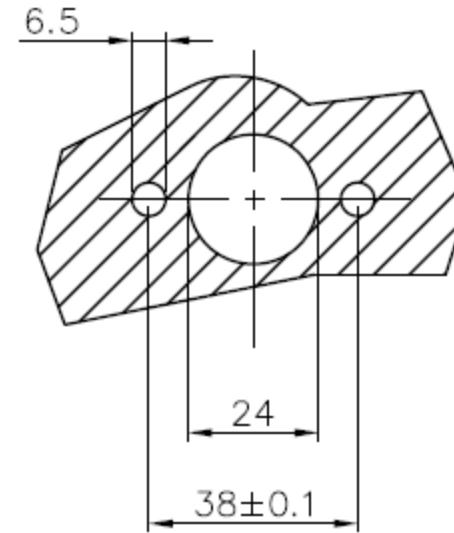
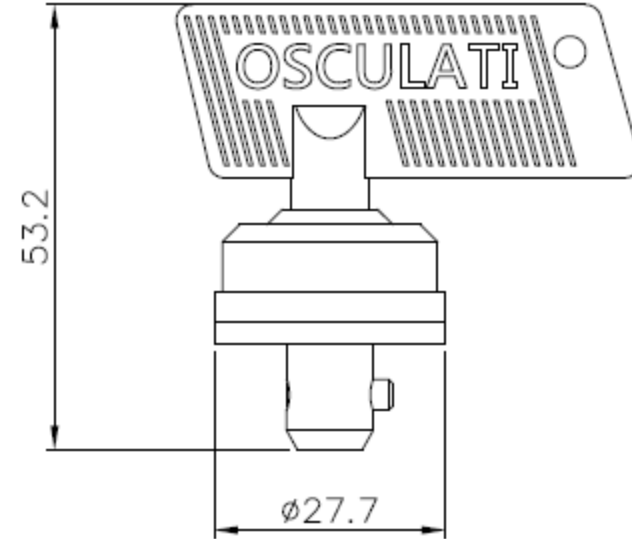
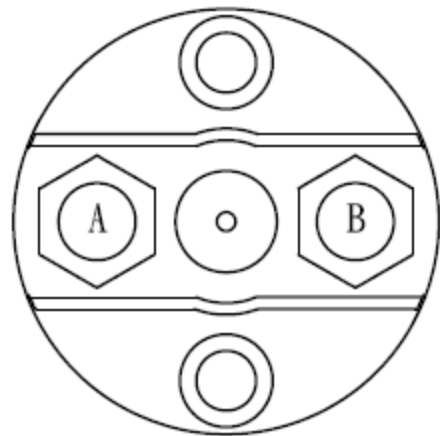
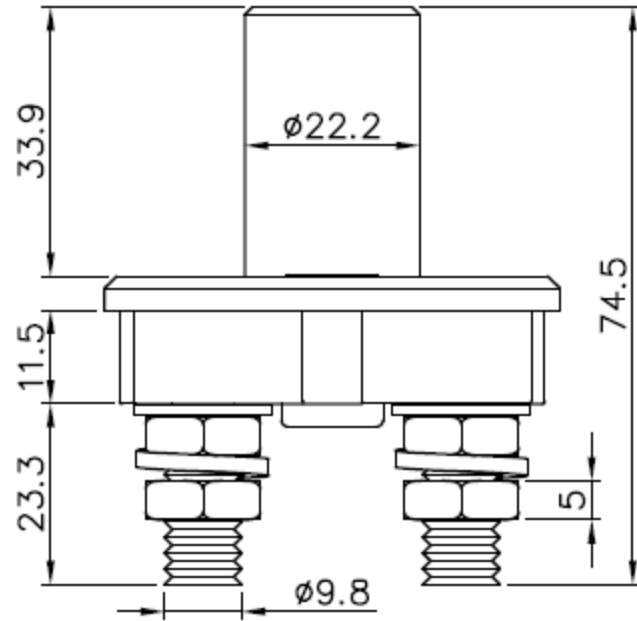
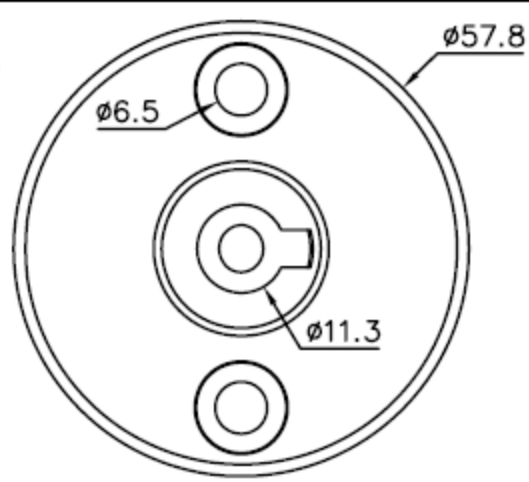
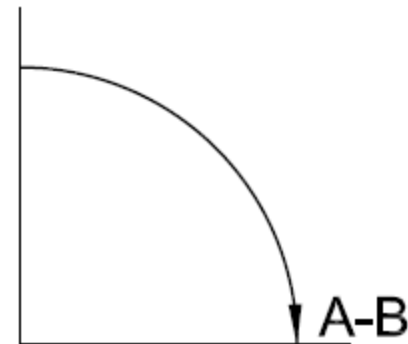


14.385.15



Mounting Holes

OFF



Technical Data	
Operating Temperature Range	: -40°C ~ 80°C
Nominal Voltage	: Up to 24VDC
Nominal Current	: 50Amps continous at 12VDC
Over Load Capacity	: 500Amps at 12VDC for 10 Sec.
Max Contact drop at Max Load	: 300mV at rated Load
Insulation Resistance	: $\geq 1M\Omega/500V$
Di-Electric withstanding Voltage	: 1000V/1min
Vibration	: 10G at 10~200Hz, 6 hours each in 3 planes.

