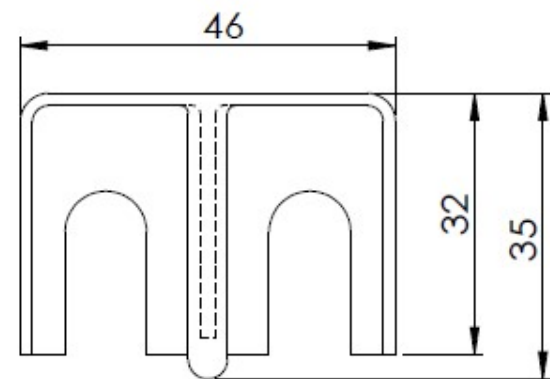
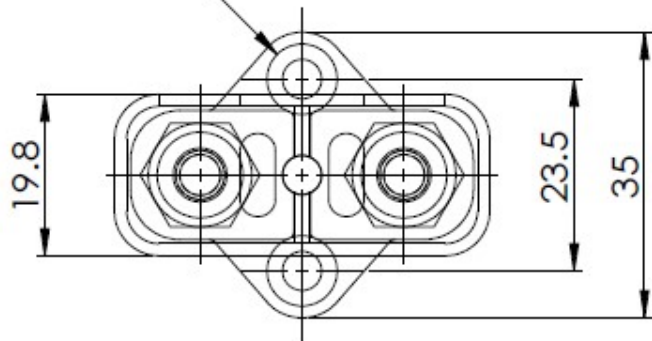


2x $\phi 4.8$
2x $\phi 8.6 \nabla 3$



2x M6
Threaded rod

