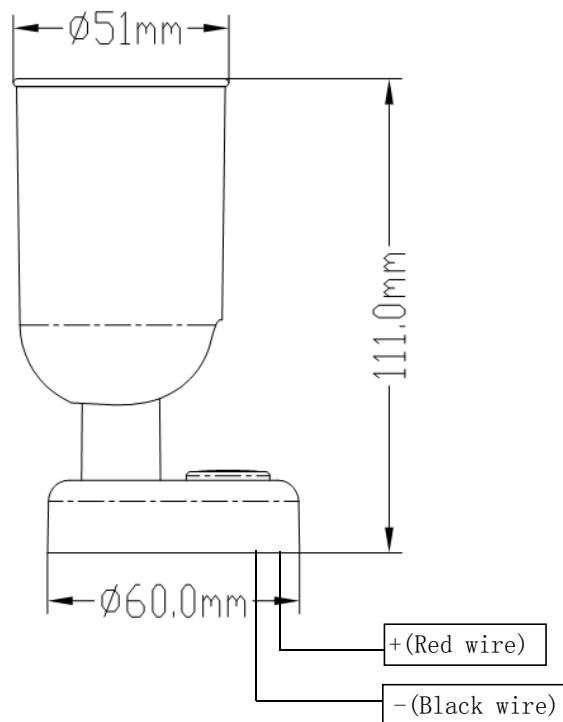


13. 517. 00

| | |
|--|---|
| Material | Housing:Made of PC |
| Housing Colour | Black |
| LED Colour | <input type="checkbox"/> Daylight White <input checked="" type="checkbox"/> Warm White <input type="checkbox"/> Red <input type="checkbox"/> Green <input type="checkbox"/> Blue |
| LED | 12pcs 0.2W |
| LED Beam Angle | 120° |
| Features | Surface mount |
| Working Voltage | DC10-30V |
| Wattage | 2 W |
| Effective Lumen/Power compared to standard bulb | 50Lumen/10W |
| life TEST FOR LED LAMP(1000 hours) | Lumen Maintenance Percentage>90% |
| Operation Temperature | -20° ~ +45℃ |
| Certificate | <input type="checkbox"/> UL <input type="checkbox"/> CE <input type="checkbox"/> RoHS <input type="checkbox"/> TUV <input checked="" type="checkbox"/> <input checked="" type="checkbox"/> |

The light is for type "Z" attachments. The external flexible cable or cord of this luminaire cannot be replaced; if the cord is damaged, the luminaire shell be destroyed



GONIOPHOTOMETER TEST REPORT

