

A

B

C

D

E

1

1

2

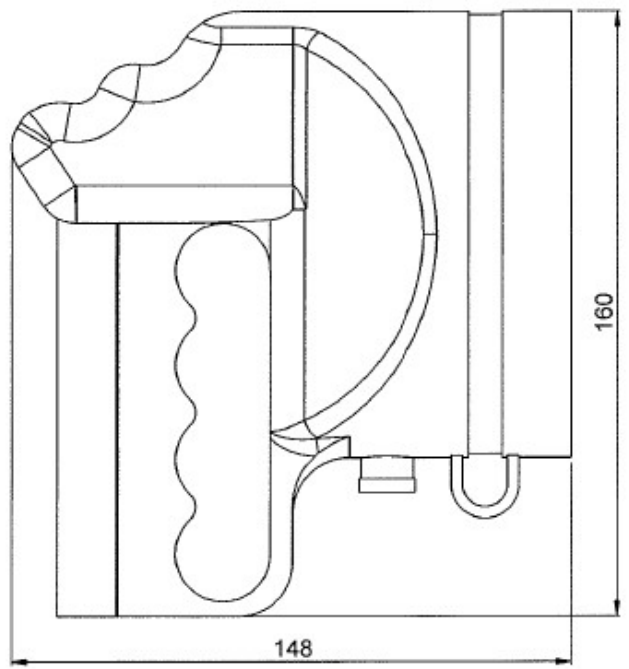
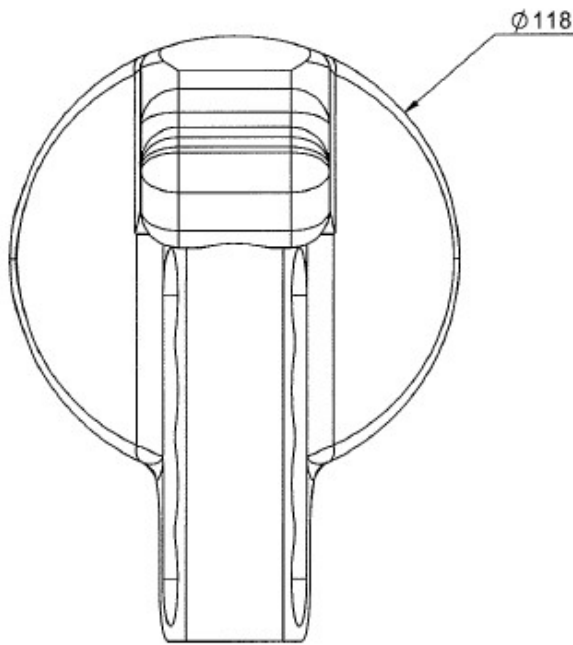
2

3

3

4

4



13.109.40 mm 1:2

A

B

E

F