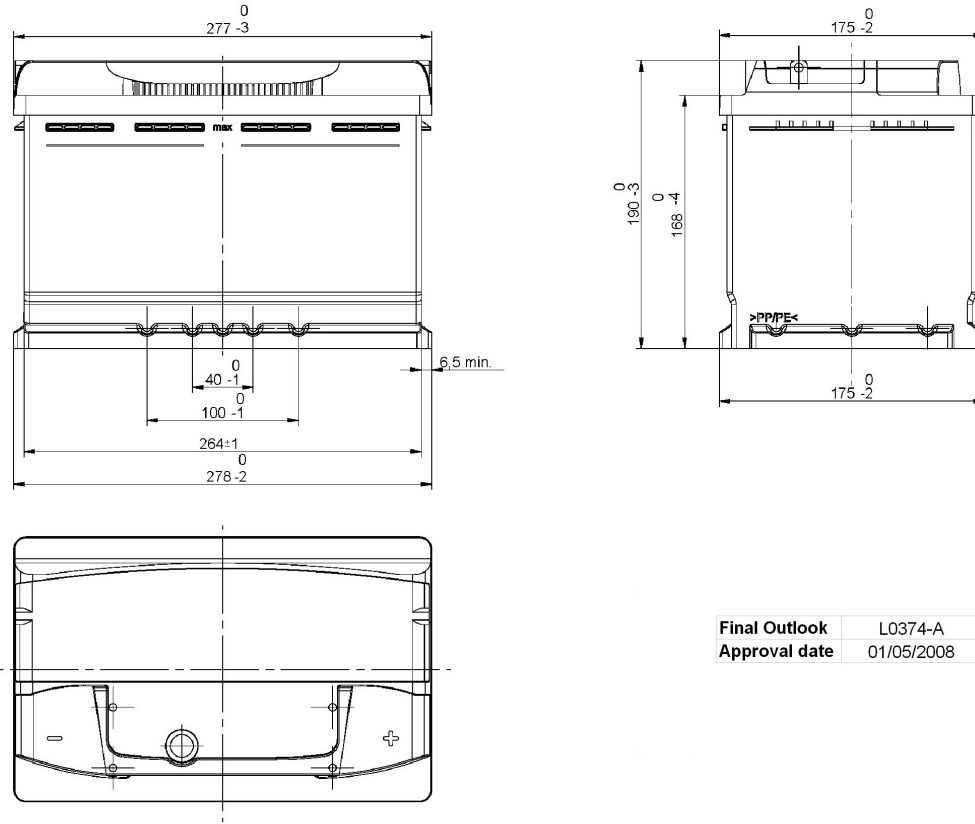


Central Article Code: L03078C74-A
 ETN Code or Other:

Created: 24/04/2008
 Modified: 11/25/2009



PERFORMANCES

| | |
|---------------|--------------------|
| Voltage (V): | 12 V |
| C20 (Ah): | 77.0 20 h |
| Rc (min): | 0 |
| Cranking (A): | 760 EN |
| Vibration: | V2 (35Hz/6g/2h) |
| Endurance: | E2 (90 cycles@50%) |
| Charge: | WET |
| Technology: | Vented/Flooded |
| Grid: | Ca/Ca |

CONTAINER

| | | |
|---------------|-----|-----------|
| Type: | L03 | GREY DARK |
| Hold Down: | B13 | |
| H.D. Adapter: | No | |

COVER

| | | |
|-------------------|--------------------------|-------------------------------|
| Type: | Double with Rigid | GREY DARK |
| Polarity: | ETN 0 | |
| Terminals: | EN taper post | |
| Terminal Adapter: | No | |
| SOCI: | Black SOCI with one ball | |
| Ventilation: | Central | |
| Filter: | 2 Filters | |
| Lateral Plug: | Standard shape | Positive pole side BLACK |

WEIGHT AND STD. DIMENSIONS

| | |
|----------------------|-------|
| Battery Weight (kg): | 19.01 |
| Volume acid (l): | 4.20 |
| Length (mm): | 278 |
| Width (mm): | 175 |
| Height (mm): | 190 |

PLUGS

| | | |
|-------|----------------------|-----------|
| Type: | 1 x Vent Sealed PSL- | GREY DARK |
|-------|----------------------|-----------|

HANDLES

| | | |
|-------|------------|-----------|
| Type: | 1 x PSL AM | GREY DARK |
|-------|------------|-----------|

OTHERS

| | |
|-----------------|----|
| Degassing Tube: | No |
|-----------------|----|

All figures show nominal values. Tolerances are according to EN50342 and applicable European Regulations.