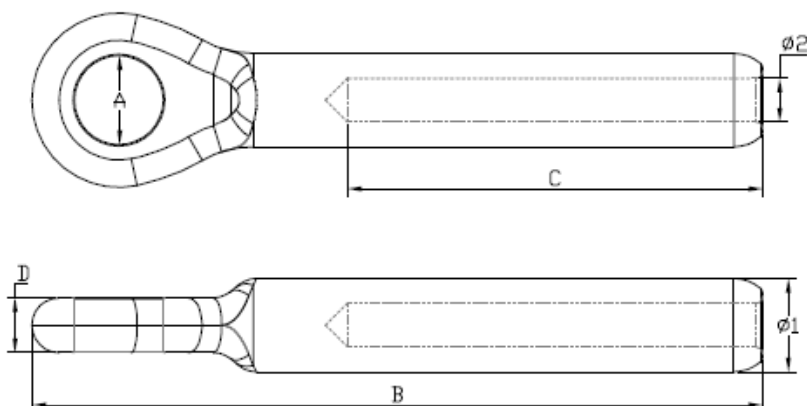


GENERAL TOLERANCE					
LINEAR			ANGULAR		
0.5-3	>3-6	>6-30	±10	>10-50	>50-120
±0.1	±0.1	±0.2	±1'	±30'	±30'
>30-120	>120-600	>600-1000	>120-600	>600	
±0.3	±0.5	±0.8	±10'	±5'	

REV.	ZONE	DESCRIPTIONS	DWN BY	DATE



ITEM	Φ1 mm	Φ2 mm	A mm	B mm	C mm	D mm	SWL kgs	BL kgs	WEIGHT kg
05.190.25	5.50	2.70	5.50	57.50	35.00	2.60	213	850	0.009
05.190.03	6.30	3.30	6.50	62.30	38.70	3.80	250	1000	0.012
05.190.04	7.50	4.30	8.50	77.00	45.00	4.90	338	1350	0.023
05.190.05	9.00	5.30	10.60	89.00	53.80	5.80	625	2500	0.035
05.190.06	12.50	6.30	13.00	106.70	63.00	7.80	1125	4500	0.085
05.190.08	16.00	8.30	14.70	135.00	81.80	9.90	1675	6700	0.170
05.190.10	17.80	10.50	16.20	158.00	90.00	10.80	1950	7800	0.240
05.190.12	21.40	12.50	19.50	180.00	102.70	15.00	2250	9000	0.732
	25.00	14.80	23.30	233.00	140.00	19.40	3000	12000	0.732

CLIENT:	MODEL NO:	MATERIAL: AISI 316/304	
PART NAME:	PART NO:	CALCULATED WEIGHT: (g)	
	TREATMENT:	QTY:	PROJE CION:
	DRAWING: SHANG DATE: 2006/12/09	REVISION: 01	UNIT: MM
	CHKD: DATE:	SCALE:	PAGE OF
	APP: DATE:	FINISH:	SIZE: A4