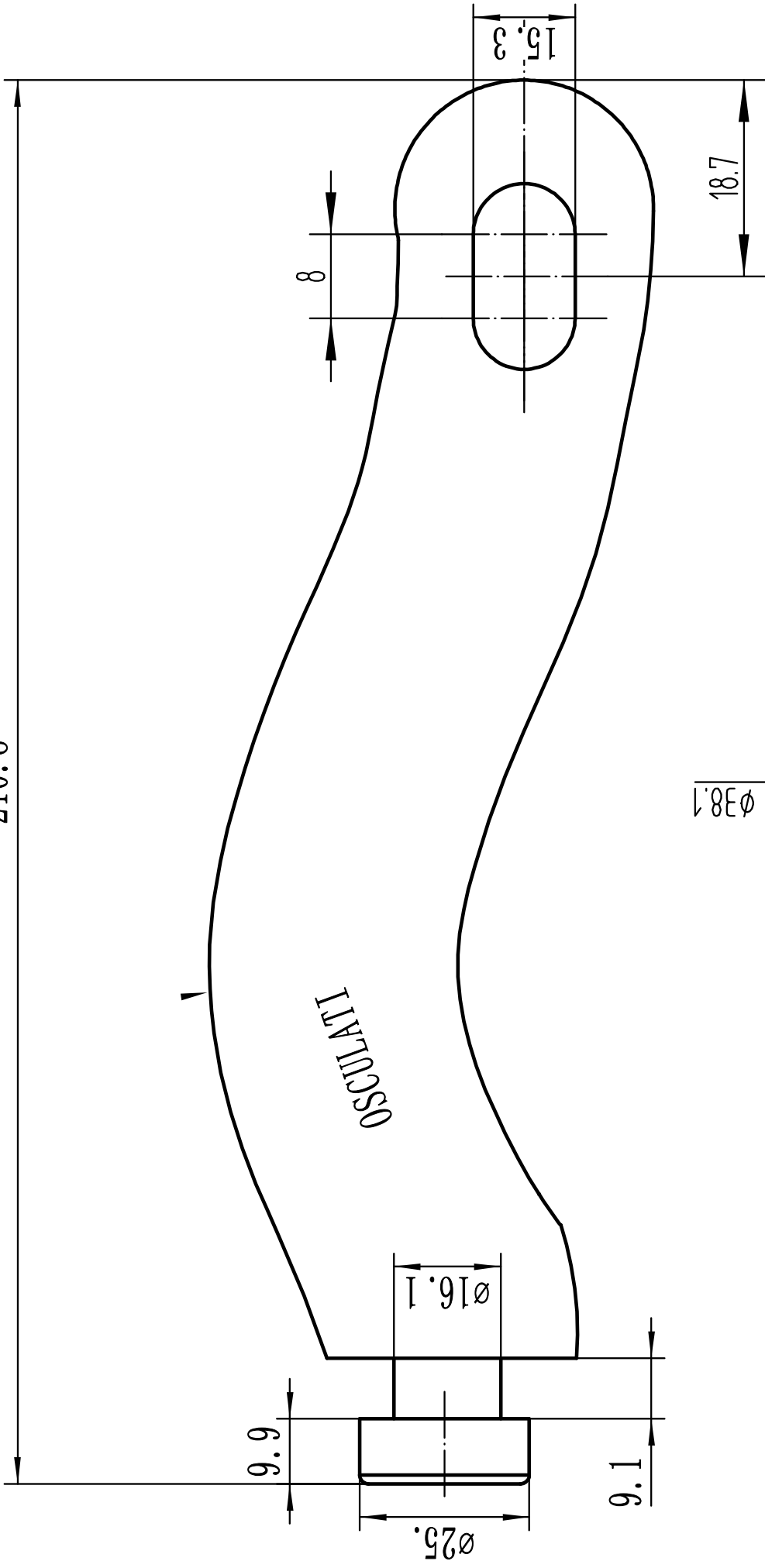
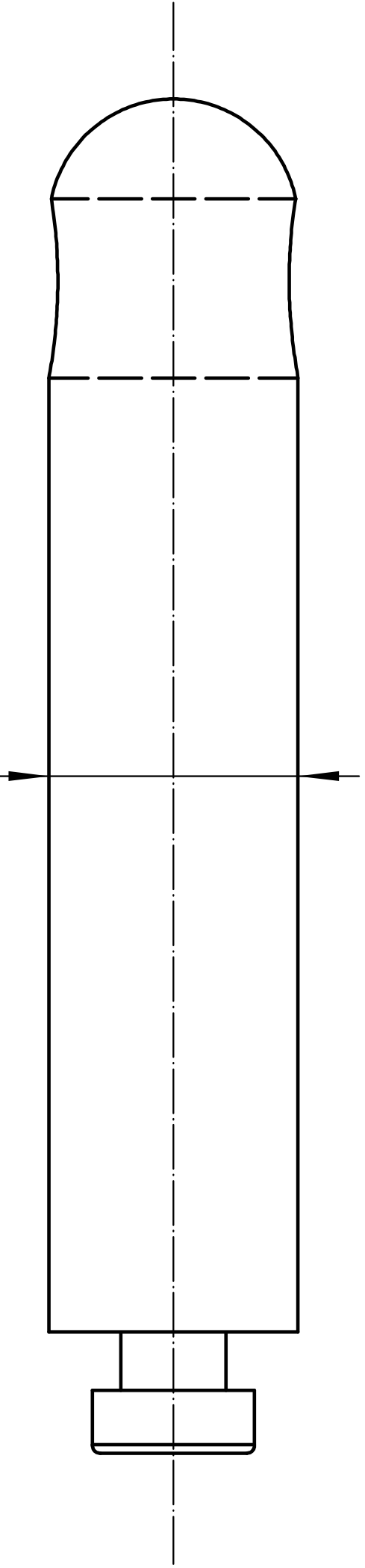
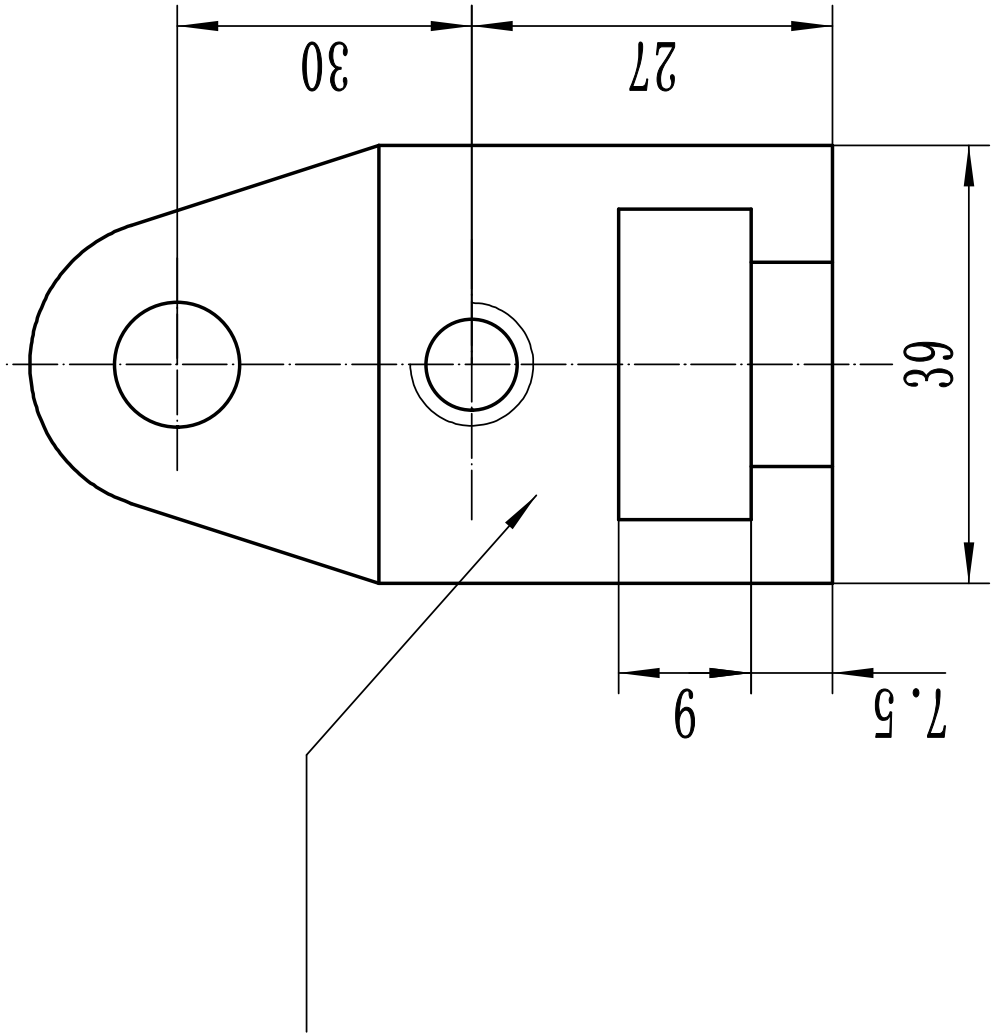
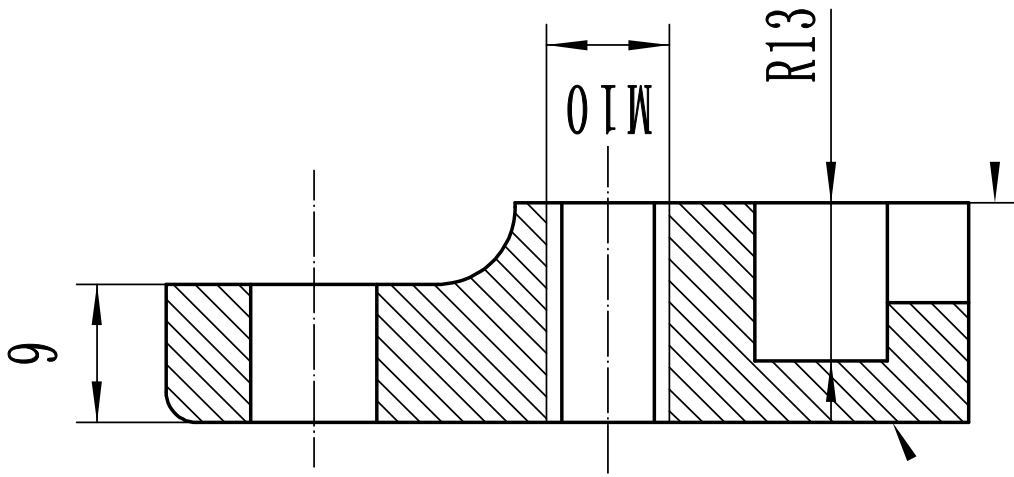


210.8



$\varnothing 38.1$





$\phi 11.9^{+0.1}$

