



# New Inox Clean Touch

---

PRODUCT INFORMATION No. 04-2017

Benedetta Rinaldi

**Indel Webasto Marine**  
Sales & Marketing

- ✓ The latest development of the Cruise Elegance line is based on a new door design that combines the worldwide-appreciated Elegance line features (excluded vent-lock function), with a door in stainless steel AISI 304 specially treated to avoid fingerprints (inox anti-fingerprint material).
- ✓ Ranging on five models, 42, 49, 65, 85 and 130lt. units, it is made to resist typical marine's application constraints.
- ✓ Isotherm INOX Clean Touch line refrigerators will make your life easier, thanks to the perfect product fitting as well as a long lasting clean effect.

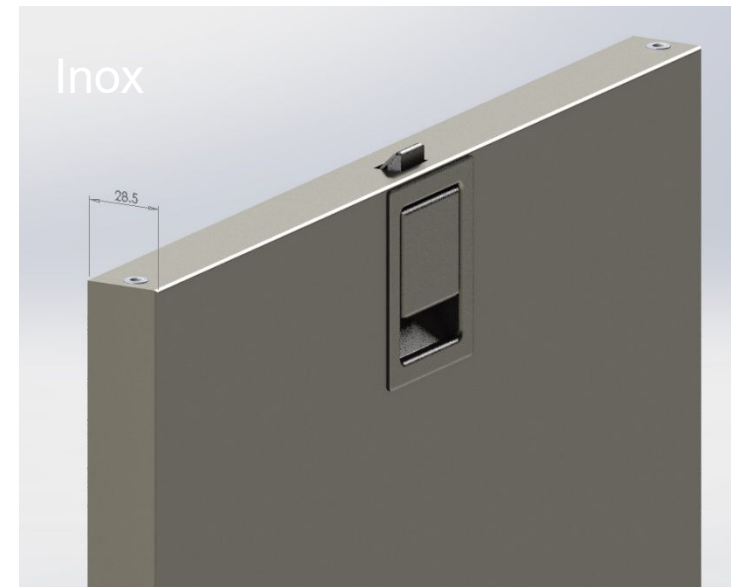
- 
- ✓ The Inox Clean Touch range will replace the present INOX line and the product switch will be as per immediate. The phase in and phase out will take place by the end of April 2017.
  - ✓ The switch over process will be made according to the stock's availability of the INOX version, ranging on the current 5 model units.
  - ✓ The market entry of the INOX Clean Touch products may not be simultaneous for all models in the range.
  - ✓ On the basis of any client request supported by product quantity, we will evaluate the possible availability of previous INOX models.

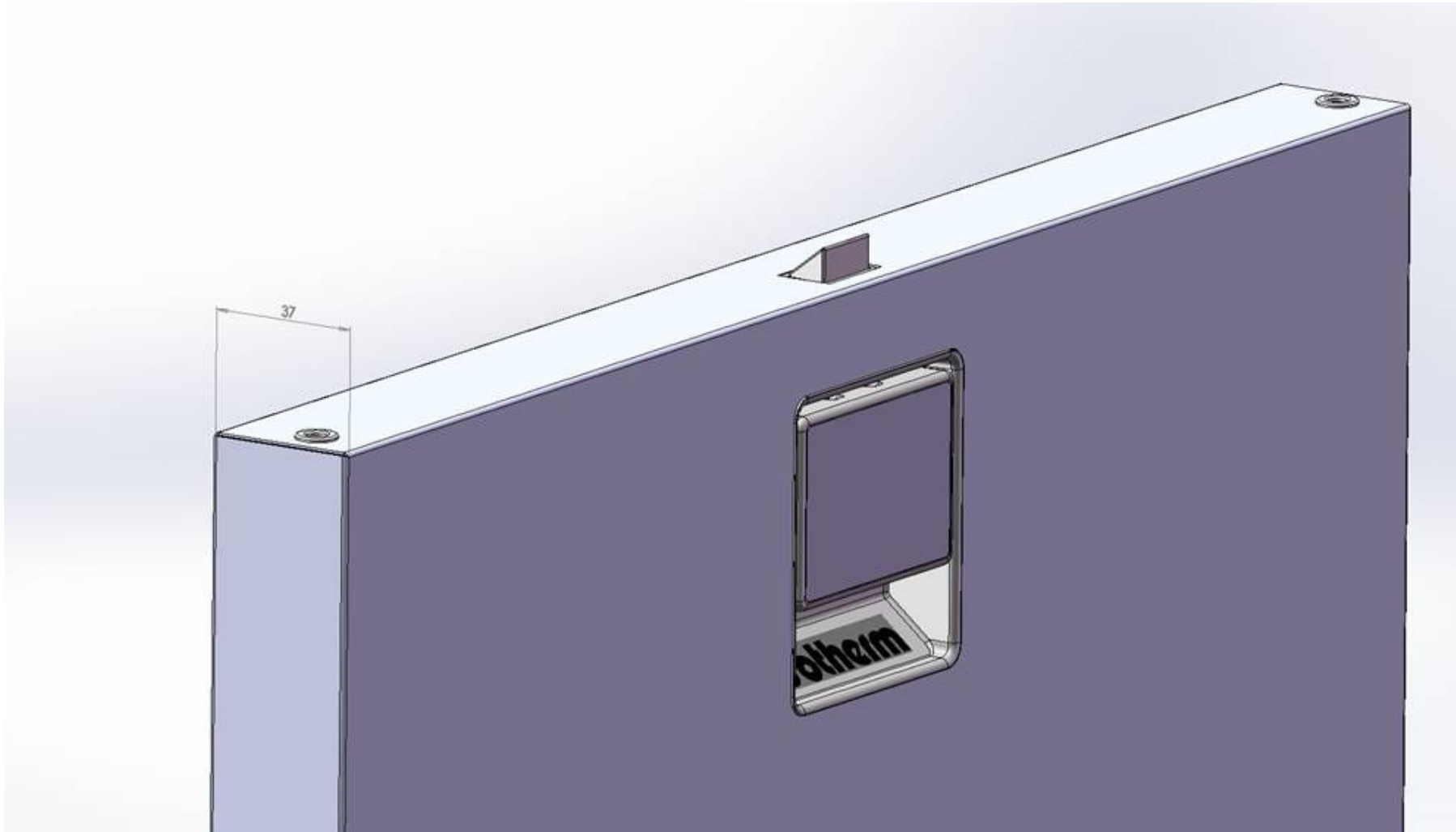
- ✓ The anti-fingerprint coating has the following properties:
  - Non-obstructive coating, steel-like appearance.
  - Easy to clean.
  - Good scratch and abrasion resistance.
  - Good resistance against foodstuff stains and mild, non-abrasive cleaning products.

These properties are obtained through a special coil covering process, with a thermally cured coating based on an hybrid organic/inorganic siloxane compound.

- ✓ Weathering tests report excellent resistance to the environment:
  - Salt spray
  - Thermal aging
  - UV and condensation

- ✓ The door of the Inox Clean Touch has a thicker insulation compared to INOX range in order to guarantee lower power consumption, greater energy efficiency and product performance.
- ✓ This enhancement slightly changes the overall dimensions of the refrigerators.
- ✓ Therefore, please check with your customers the actual availability of space in the installation compartment according to technical specs in the following pages.





The stainless steel part will therefore be 37 mm thick on all versions

- 
- ✓ The Inox Clean Touch cabinet is based on the Cruise Elegance line model.
  - ✓ The whole technical carry-over, excluded the vent-lock position, will be present on the new model and it will be Smart Energy Control (SEC) ready.
  - ✓ Based on the above, the ASU system will not be available as optional within the new range.

## CRUISE Inox Clean Touch

CRUISE 42, 49, 65



**NEW**

### CRUISE 42 Inox Clean Touch

The CR 42 Inox Clean Touch is the stainless steel design version of the CR 42. The Inox Clean Touch version also provides the possibility of removing the compressor unit on the back and mount it on any vertical wall, always keeping the compressor in horizontal position, up to 1 meter away.



Isotherm CRUISE 42 Inox Clean Touch	
Type	CR 42 CT
Volume (l)	42



**NEW**

### CRUISE 49 Inox Clean Touch

The CR 49 Inox Clean Touch is the stainless steel design version of the CR 49. The Inox Clean Touch version also provides the built-in compressor giving better inside dimensions for standing and lying PET bottles. As standard, it is equipped with installation frame and interior LED light.



Isotherm CRUISE 49 Inox Clean Touch	
Type	CR 49 CT
Volume (l)	49



**NEW**

### CRUISE 65 Inox Clean Touch

The CR 65 Inox Clean Touch is the stainless steel design version of the CR 65. It features a separated freezer compartment and a built-in compressor unit. It is equipped with installation frame and interior LED light as standard.



Isotherm CRUISE 65 Inox Clean Touch	
Type	CR 65 CT
Volume (l)	65

## CRUISE Inox Clean Touch

CRUISE 85, 130



**NEW**

### CRUISE 85 Inox Clean Touch

The CR 85 Inox Clean Touch is the stainless steel design version of the CR 85. It provides a freezer compartment, two adjustable shelves and a corner-mounted compressor. Interior LED light as standard. Installation flush mounting frames standard (valid for all INOX models).



Isotherm CRUISE 85 Inox Clean Touch	
Type	CR 85 CT
Volume (l)	85



**NEW**

### CRUISE 130 Inox Clean Touch

The CR 130 Inox Clean Touch is the stainless steel design version of the CR 130 providing a freezer compartment, three shelves, a vegetable bin and a door divided into three sections. It is equipped with interior LED light and a fan cooled compressor as standard.



Isotherm CRUISE 130 Inox Clean Touch	
Type	CR 130 CT
Volume (l)	130



## P/N affected by the change

Old P/N	Description	New P/N	Description
1042BA1MK0000	FRIDGE INOX CR42/V WITH 3 SIDES FLUSH MOUNTING FRAME RIGHT HINGED	C042RNEIT11111AA	FRIDGE CR42/V INOX CLEAN-TOUCH 12/24V WITH 3 SIDES INOX FLUSH MOUNTING FRAME RIGHT HINGED
1042BA1NK0000	FRIDGE INOX CR42/V WITH 3 SIDES FLUSH MOUNTING FRAME LEFT HINGED	C042LNEIT11111AA	FRIDGE CR42/V INOX CLEAN-TOUCH 12/24V WITH 3 SIDES INOX FLUSH MOUNTING FRAME LEFT HINGED
1049BA1MK0000	FRIDGE INOX CR49/V WITH 3 SIDES FLUSH MOUNTING FRAME RIGHT HINGED	C049RNEIT11111AA	FRIDGE CR49/V INOX CLEAN-TOUCH 12/24V WITH 3 SIDES INOX FLUSH MOUNTING FRAME RIGHT HINGED
1049BA1NK0000	FRIDGE INOX CR49/V WITH 3 SIDES FLUSH MOUNTING FRAME LEFT HINGED	C049LNEIT11111AA	FRIDGE CR49/V INOX CLEAN-TOUCH 12/24V WITH 3 SIDES INOX FLUSH MOUNTING FRAME LEFT HINGED
1065BA1MK0000	FRIDGE INOX CR65/V WITH 3 SIDES FLUSH MOUNTING FRAME RIGHT HINGED	C065RNEIT11111AA	FRIDGE CR65/V INOX CLEAN-TOUCH 12/24V WITH 3 SIDES INOX FLUSH MOUNTING FRAME RIGHT HINGED
1065BA1NK0000	FRIDGE INOX CR65/V WITH 3 SIDES FLUSH MOUNTING FRAME LEFT HINGED	C065LNEIT11111AA	FRIDGE CR65/V INOX CLEAN-TOUCH 12/24V WITH 3 SIDES INOX FLUSH MOUNTING FRAME LEFT HINGED
1085BA1MK0000	FRIDGE INOX CR85/V WITH 3 SIDES FLUSH MOUNTING FRAME RIGHT HINGED	C085RNEIT11111AA	FRIDGE CR85/V INOX CLEAN-TOUCH 12/24V WITH 3 SIDES INOX FLUSH MOUNTING FRAME RIGHT HINGED
1085BA1NK0000	FRIDGE INOX CR85/V WITH 3 SIDES FLUSH MOUNTING FRAME LEFT HINGED	C085LNEIT11111AA	FRIDGE CR85/V INOX CLEAN-TOUCH 12/24V WITH 3 SIDES INOX FLUSH MOUNTING FRAME LEFT HINGED
1130BB1MK0000	FRIDGE INOX CR130/V WITH 3 SIDES FLUSH MOUNTING FRAME RIGHT HINGED	C130RNEIT11111AA	FRIDGE CR130/V INOX CLEAN-TOUCH 12/24V WITH 3 SIDES INOX FLUSH MOUNTING FRAME RIGHT HINGED
1130BB1NK0000	FRIDGE INOX CR130/V WITH 3 SIDES FLUSH MOUNTING FRAME LEFT HINGED	C130LNEIT11111AA	FRIDGE CR130/V INOX CLEAN-TOUCH 12/24V WITH 3 SIDES INOX FLUSH MOUNTING FRAME LEFT HINGED

\* And all related versions (water cooled systems, etc.)



Old version



New version

Innovation inside and outside:

- Clean Touch covering
- The handle, flush mounted and centrally located is more ergonomic and easy to use
- The ISOTHERM logo is clearly recognizable
- Perfect flush integration of the handle with the door panel





New evaporator/freezer: covers made by injection parts, evaporator doors in stainless steel

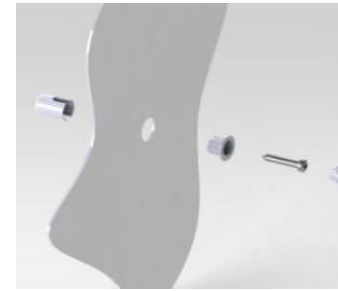
## Features and Benefits

- Equipped with the new SECOP BD Micro 1.4F – VSD (variable speed drive) 12/24V compressor, the smallest and lightest DC unit on the market. Specially designed for **maximum efficiency** and **reliability**
- The handle, flush mounted and centrally located, allows easy switch of the hinge opening side
- 3 sides inox flush mounting frame standard, fourth side as option
- 4 liters freezer compartment (-6°C)



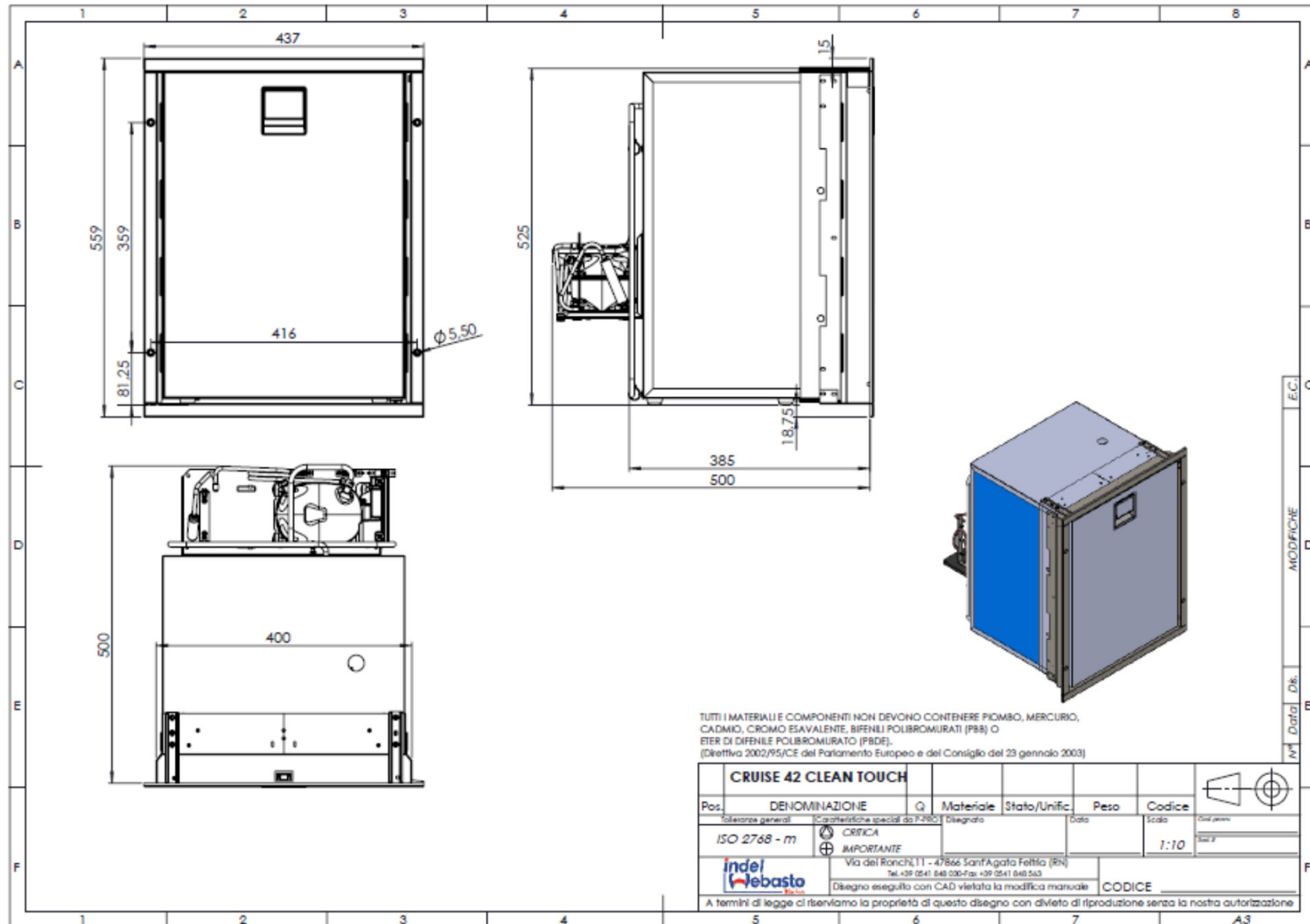
## Features and Benefits

- Easy fix installation solution
- Isotherm Smart Energy Control and ITC ready
- Extra thick insulation for low power consumption
- White LED internal light
- High quality stainless steel inner profiles
- AC/DC version available



## Specifications

- **Volume:** 42 liters
- **Dimensions:** H 525 x W 400 x D 500  
(old INOX H 520 x W 400 x D 515)
- **Power Consumption (W/24h): 285**
- **Weight:** 17 Kgs.
- **Quantity on a pallet:** 12 pcs. on a pallet 100 x 120 x 200, Kgs. 220



Innovation inside and outside:

- Clean Touch covering
- The handle, flush mounted and centrally located is more ergonomic and easy to use
- The ISOTHERM logo is clearly recognizable
- Perfect flush integration of the handle with the door panel



Old version



New version







New evaporator/freezer: covers made by injection parts, evaporator doors in stainless steel

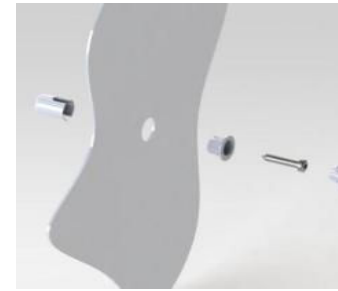
## Features and Benefits

- Equipped with SECOP BD 35F 12/24V compressor
- The handle, flush mounted and centrally located, allows easy switch of the hinge opening side
- 3 sides inox flush mounting frame standard, fourth side as option
- 4 liters freezer compartment (-6°C)



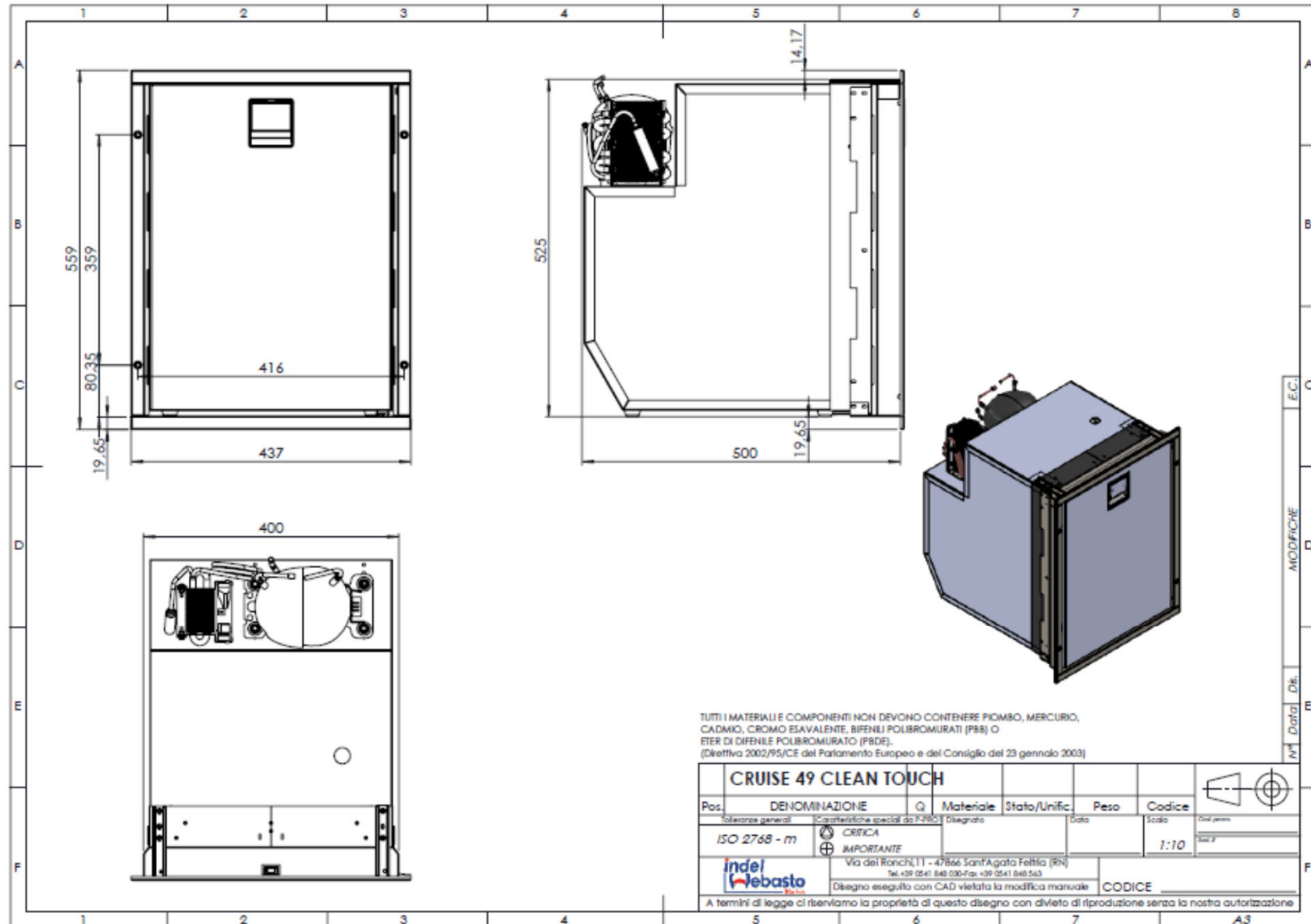
## Features and Benefits

- Easy fix installation solution
- Isotherm Smart Energy Control and ITC ready
- Extra thick insulation for low power consumption
- White LED internal light
- High quality stainless steel inner profiles
- AC/DC version available



## Specifications

- **Volume:** 49 liters
- **Dimensions:** H 525 x W 400 x D 500  
(old INOX H 520 x W 400 x D 510)
- **Power Consumption (W/24h):** 265
- **Weight:** 18 Kgs.
- **Quantity on a pallet:** 12 pcs. on a pallet 100 x 120 x 200, Kgs. 230



TUTTI I MATERIALI E COMPONENTI NON DEVONO CONTENERE PIOMBO, MERCURIO, CADMIO, CROMO ESVALENTE, BIFENILI POLIBROMURATI (PBB) O ETER DI DIFFENILE POLIBROMURATO (PBDE).  
(Direttiva 2002/95/CE del Parlamento Europeo e del Consiglio del 23 gennaio 2003)

Pos.	DENOMINAZIONE	Q	Materiale	Stato/Unific.	Peso	Codice		
Interruttore generale	Caratteristica speciale da F.280	Disegnato		Data	Scala	Cont. pezzo		
ISO 2768 - m	CRITICA IMPORTANTE				1:10	Seal 2		
							Via del Roncretti - 47866 Sant'Agata Feltria (RN) Tel. +39 0541 848 530-Fax +39 0541 848 543 Disegno eseguito con CAD vietata la modifica manuale	
A termini di legge ci riserviamo la proprietà di questo disegno con divieto di riproduzione senza la nostra autorizzazione.						CODICE		

E.C.  
 MODIFICHE  
 Data  
 Dib.  
 m

A3

Innovation inside and outside:

- Clean Touch covering
- The handle, flush mounted and centrally located is more ergonomic and easy to use
- The ISOTHERM logo is clearly recognizable
- Perfect flush integration of the handle with the door panel



Old version



New version





New evaporator/freezer: covers made by injection parts, evaporator doors in stainless steel

## Features and Benefits

- Equipped with SECOP BD 35F 12/24V compressor
- The handle, flush mounted and centrally located, allows easy switch of the hinge opening side
- 3 sides inox flush mounting frame standard, fourth side as option
- 4 liters freezer compartment (-6°C)





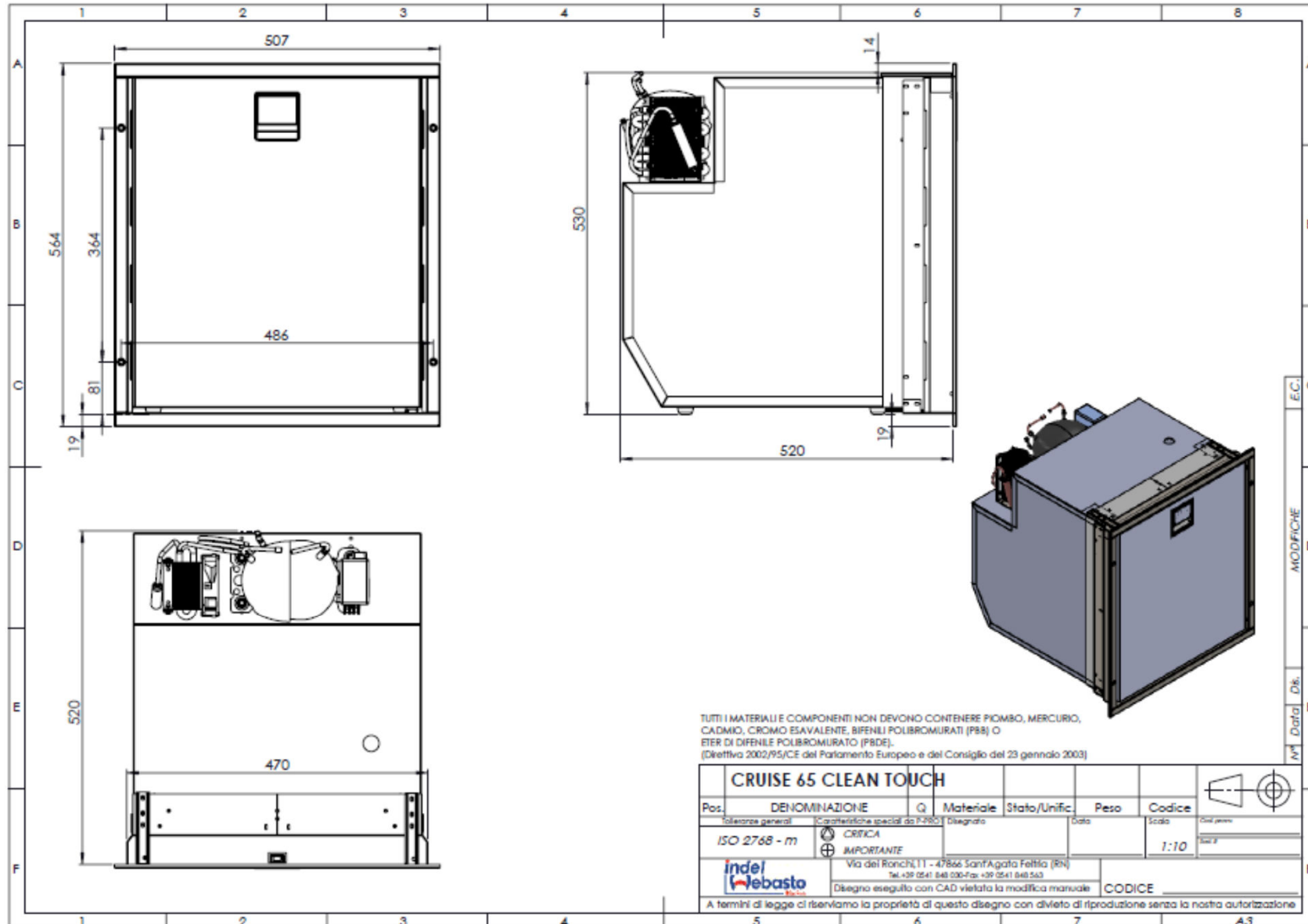
## Features and Benefits

- Easy fix installation solution
- Isotherm Smart Energy Control and ITC ready
- Extra thick insulation for low power consumption
- White LED internal light
- High quality stainless steel inner profiles
- AC/DC version available



## Specifications

- **Volume:** 65 liters
- **Dimensions:** H 528 x W 470 x D 520  
(old INOX H 527 x W 470 x D 545)
- **Power Consumption (W/24h): 275**
- **Weight:** 20 Kgs.
- **Quantity on a pallet:** 12 pcs. on a pallet 120 x 120 x 210, Kgs. 250



TUTTI I MATERIALI E COMPONENTI NON DEVONO CONTENERE PIOMBO, MERCURIO, CADMIO, CROMO ESVALENTE, BIFENILI POLIBROMURATI (PBB) O ETER DI DIFENILE POLIBROMURATO (PBDE).  
(Direttiva 2002/95/CE del Parlamento Europeo e del Consiglio del 23 gennaio 2003)

CRUISE 65 CLEAN TOUCH								
Pos.	DENOMINAZIONE	Q	Materiale	Stato/Unific.	Peso	Codice		
	ISO 2768 - m		CRITICA IMPORTANTE	Disegnato	Data	Scala	Cod. parte	
						1:10	Scale	
			Via del Roncretti - 47866 Sant'Agata Feltria (RN)					
			Tel. +39 0541 848 530-Fax +39 0541 848 543					
			Disegno eseguito con CAD vietata la modifica manuale				CODICE	
A termini di legge ci riserviamo la proprietà di questo disegno con divieto di riproduzione senza la nostra autorizzazione.								

Innovation inside and outside:

- Clean Touch covering
- The handle, flush mounted and centrally located is more ergonomic and easy to use
- The ISOTHERM logo is clearly recognizable
- Perfect flush integration of the handle with the door panel



Old version



New version





New evaporator/freezer: covers made by injection parts, evaporator doors in stainless steel

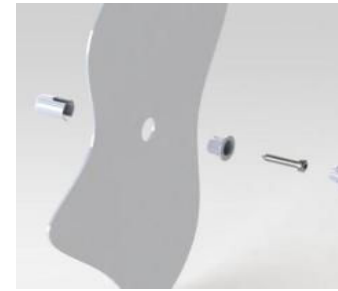
### Features and Benefits

- Equipped with SECOP BD 35F 12/24V compressor
- The handle, flush mounted and centrally located, allows easy switch of the hinge opening side
- 3 sides inox flush mounting frame standard, fourth side as option
- 6 liters freezer compartment (-6°C)



## Features and Benefits

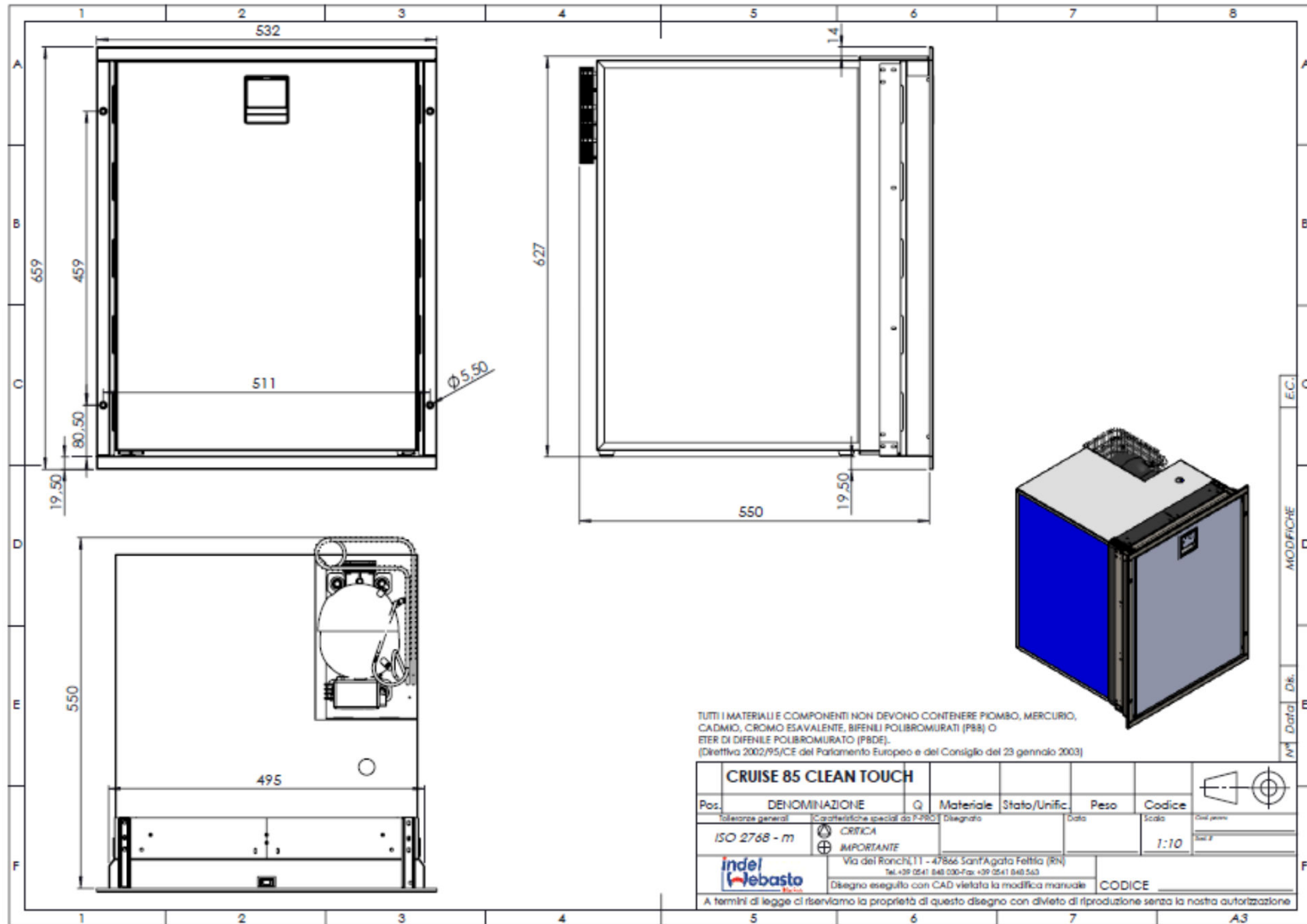
- Easy fix installation solution
- Isotherm Smart Energy Control and ITC ready
- Extra thick insulation for low power consumption
- White LED internal light
- High quality stainless steel inner profiles
- AC/DC version available



## Specifications

- **Volume:** 85 liters
- **Dimensions:** H 625 x W 495 x D 550  
(old INOX H 620 x W 495 x D 555)
- **Power Consumption (W/24h): 368**
- **Weight:** 24 Kgs.
- **Quantity on a pallet:** 12 pcs. on a pallet 120 x 120 x 220, Kgs. 300







Old versions



New version

Innovation inside and outside:

- Clean Touch covering
- The handle, flush mounted and centrally located is more ergonomic and easy to use
- The ISOTHERM logo is clearly recognizable
- Perfect flush integration of the handle with the door panel





New evaporator/freezer: covers made by injection parts, evaporator doors in stainless steel

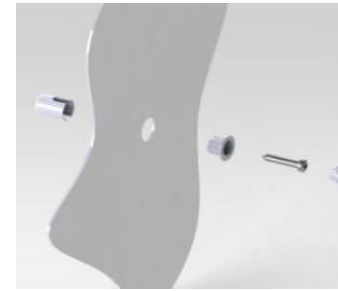
### Features and Benefits

- Equipped with SECOP BD 35F 12/24V compressor
- The handle, flush mounted and centrally located, allows easy switch of the hinge opening side
- 3 sides inox flush mounting frame standard, fourth side as option
- 6 liters freezer compartment (-6°C)



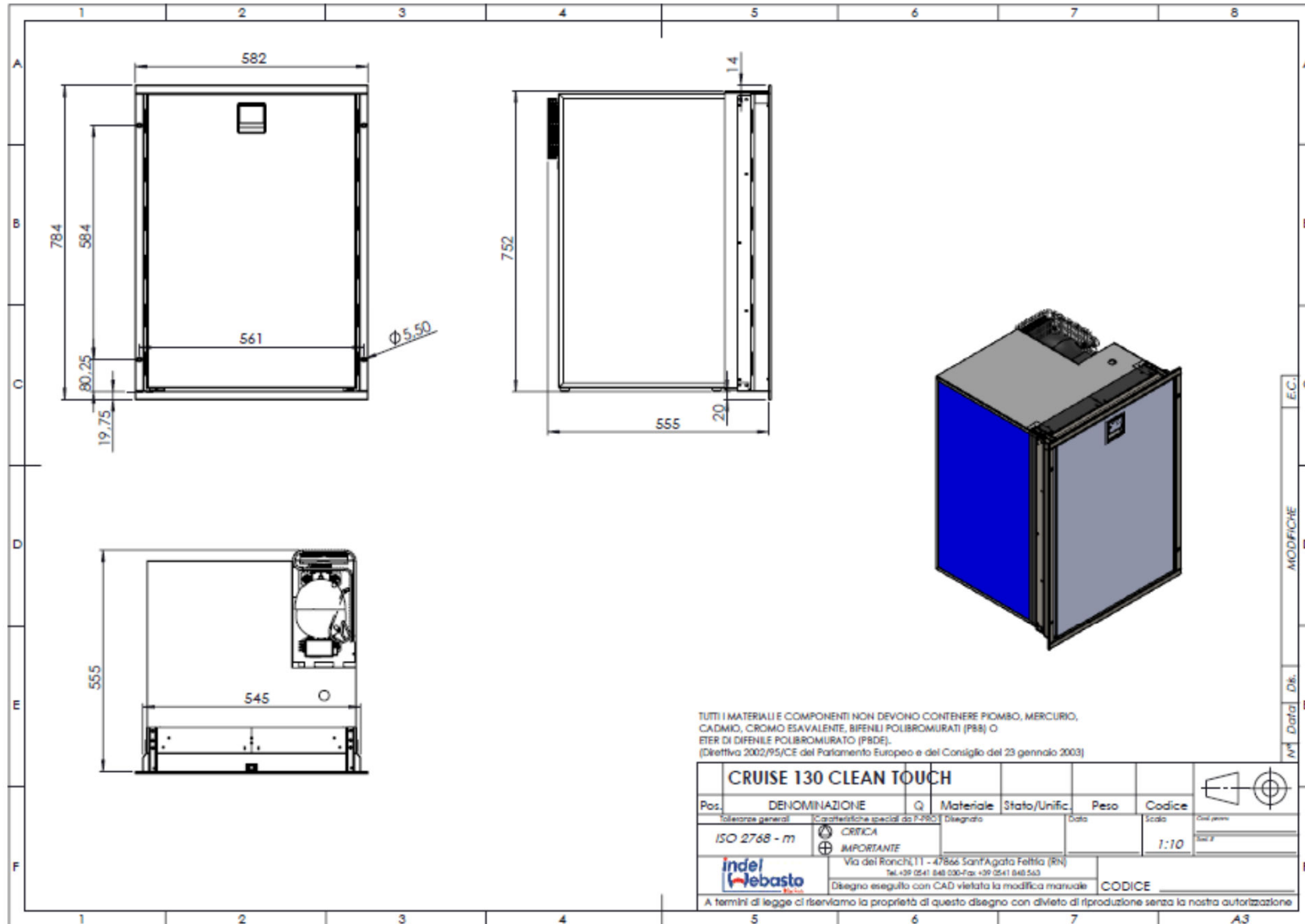
## Features and Benefits

- Easy fix installation solution
- Isotherm Smart Energy Control and ITC ready
- Extra thick insulation for low power consumption
- White LED internal light
- High quality stainless steel inner profiles
- AC/DC version available



## Specifications

- **Volume:** 130 liters
- **Dimensions:** H 750 x W 545 x D 555  
(old INOX H 743 x W 545 x D 545)
- **Power Consumption (W/24h): 418**
- **Weight:** 29 Kgs.
- **Quantity on a pallet: 8** pcs. on a pallet 120 x 120 x 190, Kgs. 250



## Part Numbers, Description, Prices and Availability

Part Number	Description	Price
C042RNEIT11111AA	FRIDGE CR42/V INOX CLEAN-TOUCH 12/24V WITH 3 SIDES INOX FLUSH MOUNTING FRAME (RIGHT HINGED)	PLS Contact IWM
C049RNEIT11111AA	FRIDGE CR49/V INOX CLEAN-TOUCH 12/24V WITH 3 SIDES INOX FLUSH MOUNTING FRAME (RIGHT HINGED)	PLS Contact IWM
C065RNEIT11111AA	FRIDGE CR65/V INOX CLEAN-TOUCH 12/24V WITH 3 SIDES INOX FLUSH MOUNTING FRAME (RIGHT HINGED)	PLS Contact IWM
C085RNEIT11111AA	FRIDGE CR85/V INOX CLEAN-TOUCH 12/24V WITH 3 SIDES INOX FLUSH MOUNTING FRAME (RIGHT HINGED)	PLS Contact IWM
C130RNEIT11111AA	FRIDGE CR130/V INOX CLEAN-TOUCH 12/24V WITH 3 SIDES INOX FLUSH MOUNTING FRAME (RIGHT HINGED)	PLS Contact IWM

Just get in contact with us to get the P/N of your special model (left hinged, water cooled, etc.)



## Part Numbers, Description, Prices and Availability

- Indel Webasto Marine INOX CLEAN TOUCH Line products are produced in China and must be ordered from the warehouse in Sant'Agata Feltria, Italy
- All the models will be available in stock starting from end April 2017
- No minimum order quantity is requested
- Delivery time is usually 4 weeks from order; minimum stock-in-trade always available for emergencies

---

Certificates, Documentation, Packaging Details, Maintenance and servicing

- Indel Webasto Marine new INOX Clean Touch products are provided with CE certification
- Instruction and user manual is included in the packing



High quality marine stainless steel units



Easy fix system



New interior design



Secop compressor technology for maximum performances



Smart Energy Control and ITC ready



Easy to install



Reliability conjugated to a service throughout the world

Thank you for your attention