

## LIMITED WARRANTY

We warrant our RV/Marine DC Macerator pump to be free from material and workmanship defects under normal use and service for a period of one (1) year from the date of purchase. In the absence of proof of purchase the warranty is one (1) year from the date of manufacture indicated on the motor nameplate. Not to exceed (1) one year in any event. The limited warranty will not apply to pumps that were improperly installed, misapplied, or are incompatible with components not manufactured by us. Pump failure due to foreign debris is not covered under the terms of this limited warranty. We will not warrant any pump that is physically damaged, or altered outside our factory. Warranty claims may be resolved by an authorized dealer service center, or by one of our service center. Returns are to be shipped with charges pre-paid. Package all returns carefully. We will not be responsible for freight damage incurred during shipping to a service center. Our obligation under this warranty policy is limited to the repair or replacement of the pump. Pumps found not defective (under the terms of this limited warranty) are subject to charges to be paid by the returnee for the testing and packaging of "tested good" units. Warranty returns will be shipped on a freight allowed basis. We reserve the right to choose the method of transportation. We are not responsible nor will it reimburse for labor necessary to remove and reinstall a pump, if found defective.

# MACERATOR PUMP INSTRUCTION

## Installation, Operation & Repair Manual

The DC macerator pump can be used in Yacht, RV, and Mobile kitchenware, Toilet exhaust system. It is designed to empty marine and RV holding tanks of normal waste. It is also an excellent choice for emptying fish boxes of scales and residual waste. A flow rate of up to 12 gallons(45.0LPM)per minute conveniently empty any tank in minutes. The unique dual-cut blade design ensures waste is ground up thoroughly. The pump is self-priming up to a five foot lift when impeller is wet, four foot lift when impeller is dry, but for optimum performance and life, it should be mounted as close to the tank as possible. **Marine pump out must be in proper discharge zones only.** This macerator will not handle hard objects, rags, or feminine, napkins.

### Product Specifications

**Motor:** Seamless can motor,  
Thermally protected.

**Run Dry Capability**

**Pump Type:** Flexible impeller

**Duty Cycle:** Intermittent duty only

**Impeller:** -NBR70°

**Blade:** 316 stainless "Double Cut"

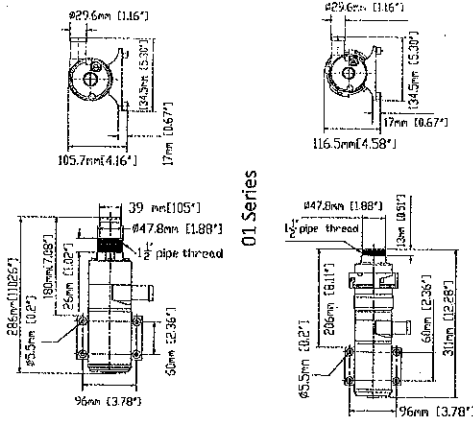
**Dimensions :** See drawing

**Weight:** 4.9lbs(2.24kg)

**Pressure Off(psi/bar):** NO

Mode	Amp Draw(A)	Flow(lpm/gpm)
01 Series	12V	24V
	12.0	7.0
02 Series	12V	24V
	12.0	7.0

### Dimension



## Electrical Connections

**WARNING:** If the pump is operated in an area containing flammable vapors, the wire leads must be joined by insulated mechanical locking connectors. Loose or inadequate wire connections can spark, resulting in an explosion and in property damage, injury, or death, all electrical installations should be done by a qualified electrician.

Pump should be operated on a separate circuit.

Pump should be connected to properly sized momentary switch. This prevents pump from damage due to long periods of dry run condition.

Switch should be near pump. This will allow operator to hear change in pump sound when tank is empty.