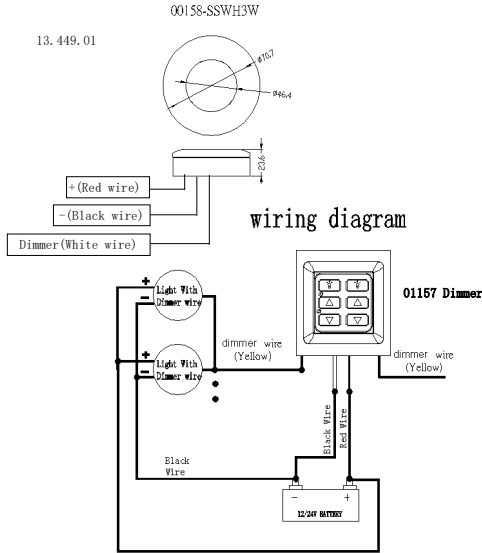


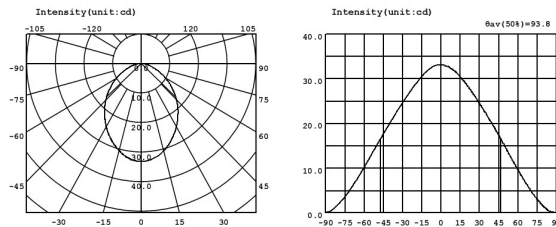
13.449.01	
Material	Housing:Made of SUS304 Base:Made of S304
Housing Colour	polished S.S
LED Colour	<input type="checkbox"/> Daylight White <input checked="" type="checkbox"/> Warm White <input type="checkbox"/> Red <input type="checkbox"/> Green <input type="checkbox"/> Blue
LED	ipcs 3W
LED Beam Angle/Lumen	125° /160-190 Lumen
Colour Temperature	<input checked="" type="checkbox"/> Warm White:2900-3200K <input type="checkbox"/> Daylight White: K
Features	1)13.449.01: Flush and surface mount 2)Rotate the cap to open
Working Voltage	DC8-30V
Wattage	3.1 W
Effective Lumen/Power compared to standard bulb	70Lumen/10W
Waterproof standard	IP: 65
life TEST FOR LED LAMP(1000 hours)	Lumen Maintenance Percentage>95%
Operation Temperature	-20° ~ +45°C
Certificate	<input type="checkbox"/> UL <input type="checkbox"/> CE <input type="checkbox"/> RoHS <input type="checkbox"/> TUV

The light is for type "Z" attachments. The external flexible cable or cord of this luminaire cannot be replaced; if the cord is damaged, the luminaire shell be destroyed



NOTE: AAA recommends using AAA Brand Dimmer #01157 for this wiring diagram. compatibility with other branded dimmer is NOT guaranteed.

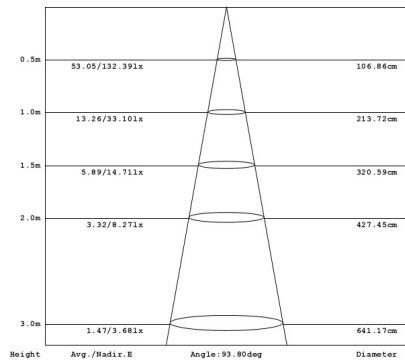
GONIOPHOTOMETER TEST REPORT



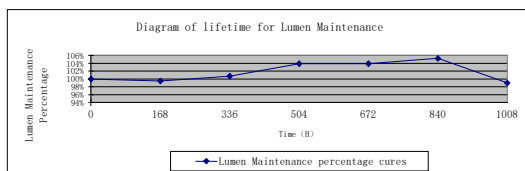
Optical Parameter (Distance=2.799m):

Equivalent Luminous flux: $\Phi_{eff} = 74.45lm$ Efficiency: $Eff=25.85lm/W$
 Diffuse angle: @ (25%): 126.7deg (50%): 93.8deg (75%): 58.8deg (50%): 93.8deg
 Diffuse angle: @ (25%): 126.7deg (50%): 94.0deg (75%): 58.9deg (50%): 94.0deg
 $I_{max}=33.13cd$ (C=0.0deg, G=-0.5deg) C0-180Plane $I_{max}= 33.13cd$ (G=-0.5deg)
 C0-180Plane $I_0= 33.09cd$

Average Illuminance Figure



LIFETIME FOR LUMEN MAINTENANCE



100,00%	0
99,48%	168
100,72%	336
103,90%	504
103,90%	672
105,22%	840
99,00%	1008

Testing Module: Lasting 1000 hrs, Temperature Range 36-40°C, Humidity: 60%RH, Input Voltage: DC12V