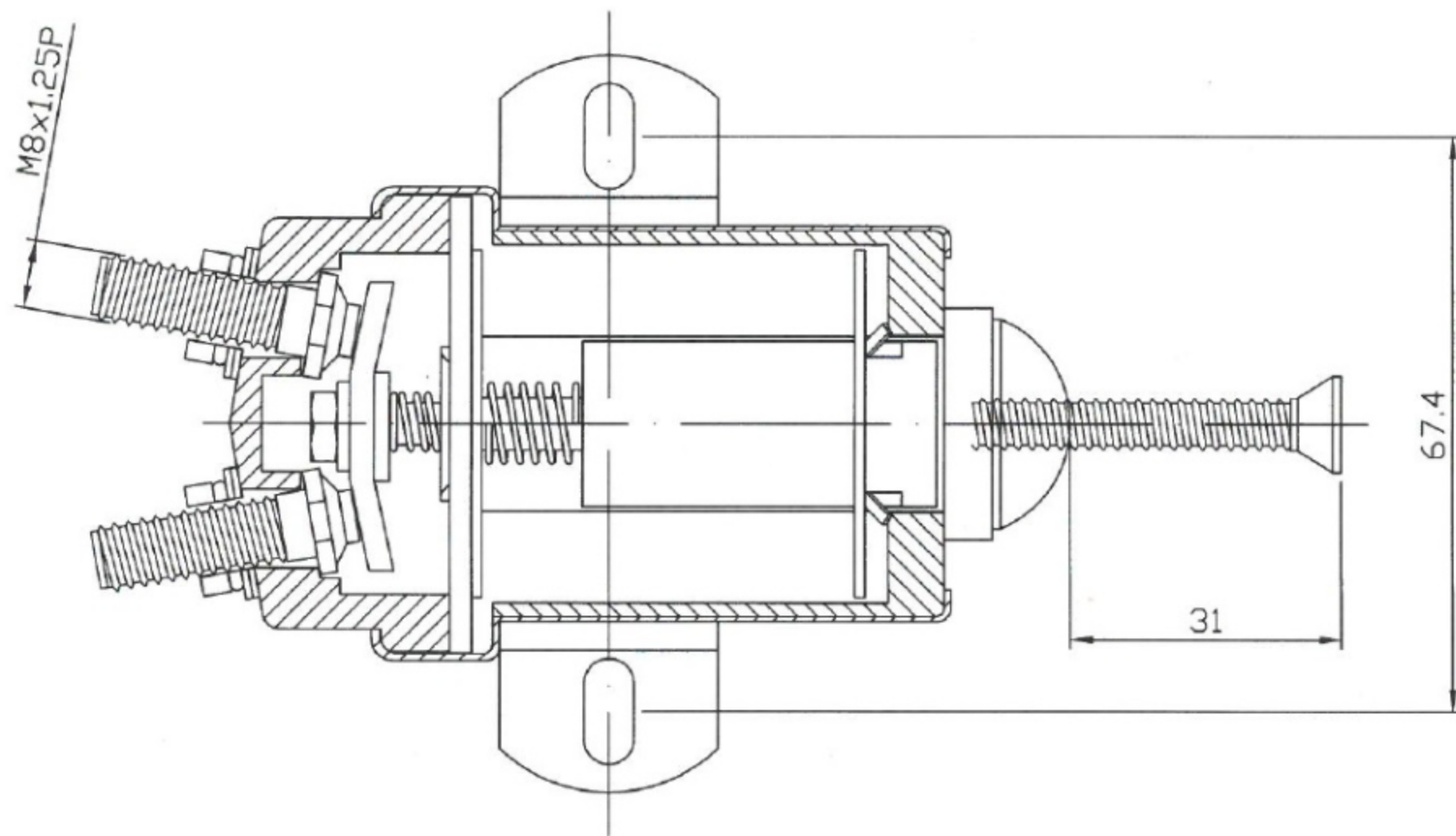
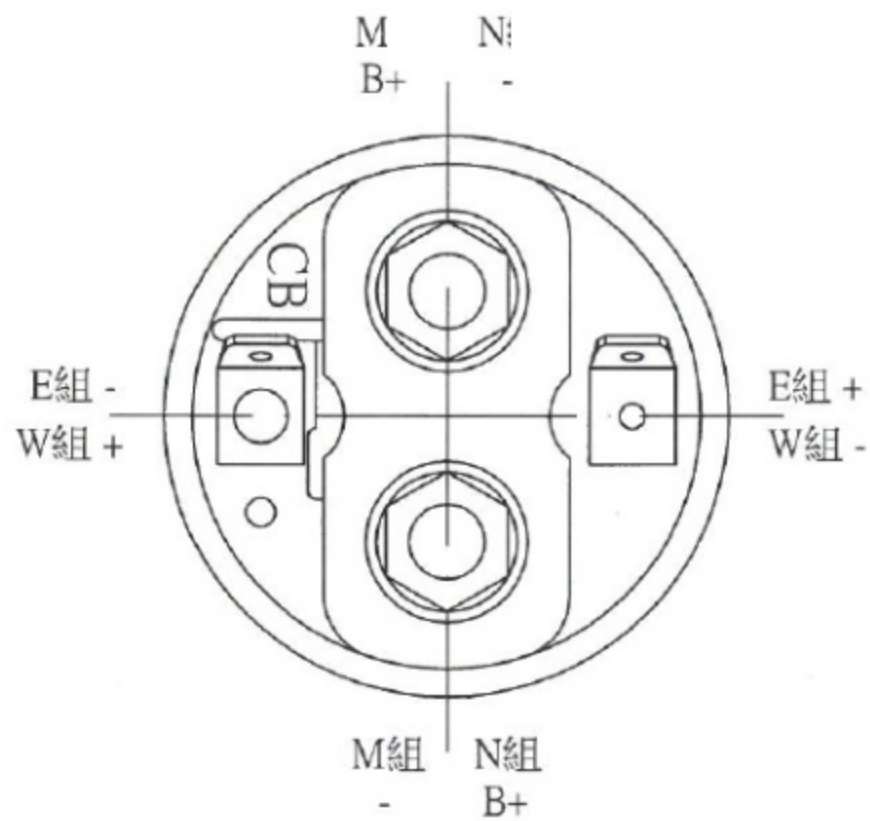


M/N is interchangeable and they are the positive and negative source of the start signal



$5.6 \pm 0.45 \Omega$
8V