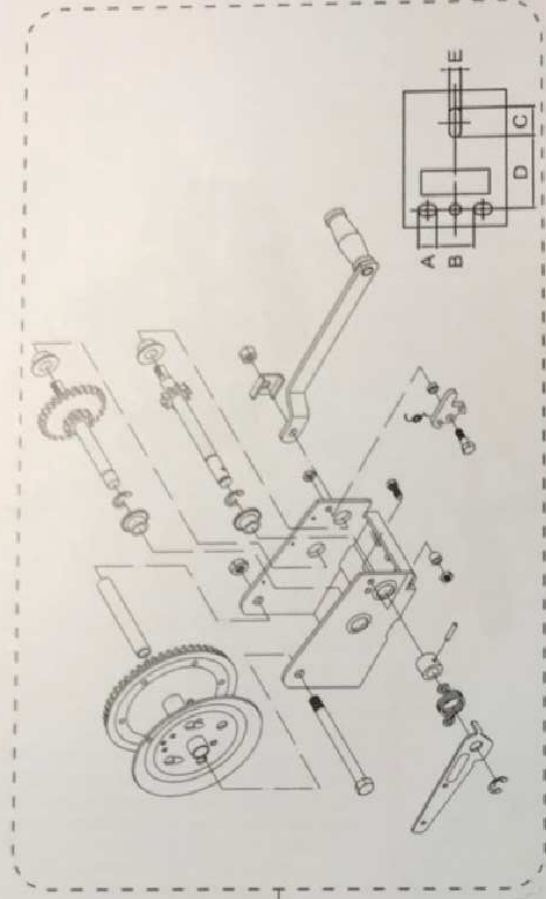




Text: 5



A=24mm B=44mm C=46mm D=83mm E=10mm

