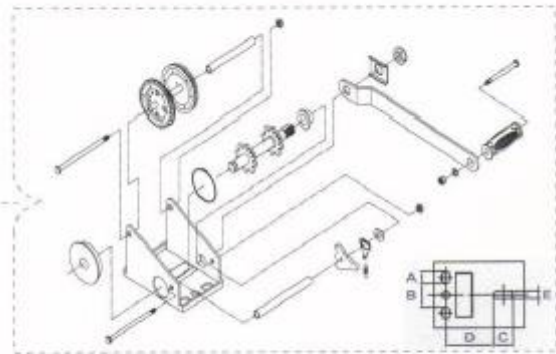


WINCHES, stainless steel



WT-77S-16 / WT-77S-20



A=16 mm B=32 mm C=36 mm D=56 mm E=10 mm

| Item no. | Capacity | Gear ratio | Handle length | Reel hub diameter | Drum capacity, strap / cable |
|------------------|------------------|------------|---------------|-------------------|------------------------------|
| 02.160.00 | 1600 lb / 727 kg | 4.1:1 | 190 mm | 18 mm | 2"W x 20'L / Ø 5 mm x 15 M |
| 02.161.00 | 2000 lb / 900 kg | 4.1:1 | 190 mm | 18 mm | 2"W x 25'L / Ø 5 mm x 20 M |