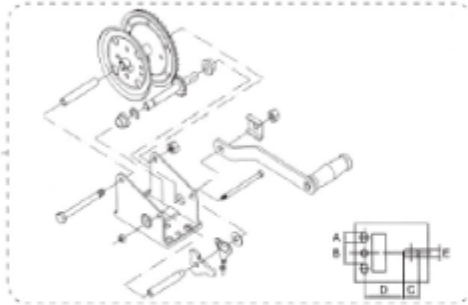
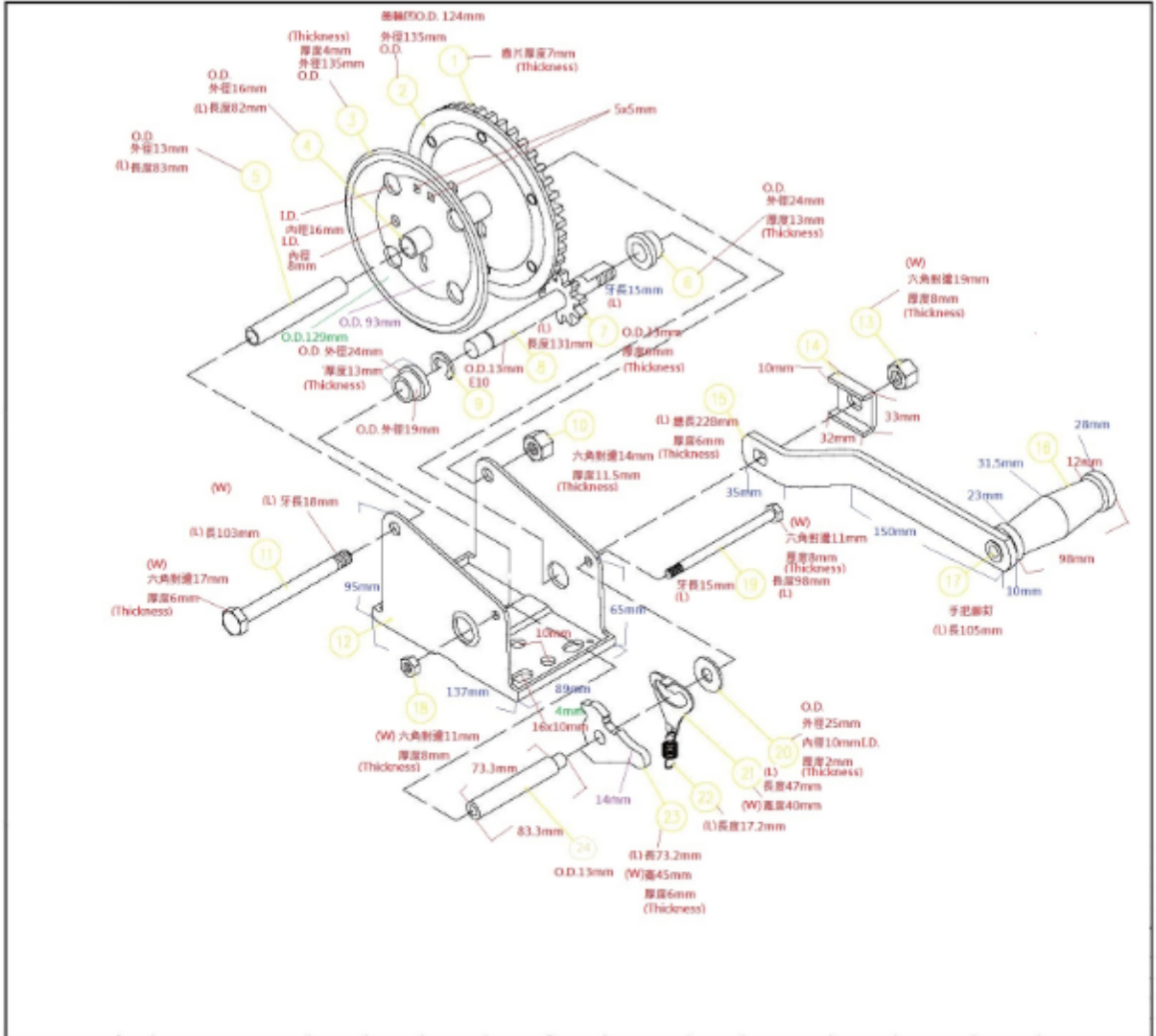


02.120.00



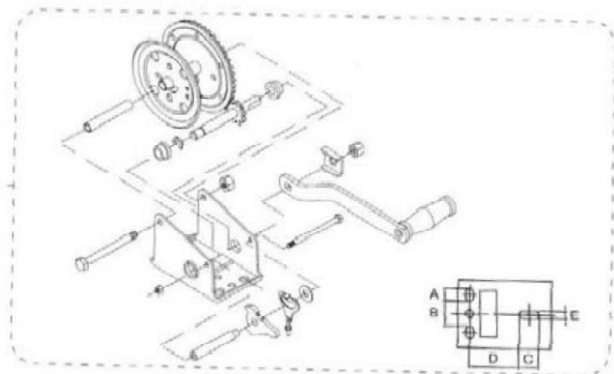
A=25mm B=42mm C=46mm D=98mm E=10mm

Two position ratchet pawl with free spool



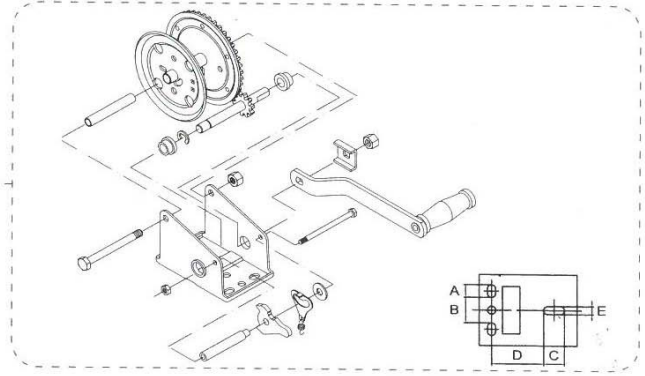


One position ratchet pawl with free spool



A=18mm B=36mm C=24mm D=68mm E=10mm

Item No.	Capacity	Gear Ratio	A	B	C	D	E
	1000lbs/450kgs	4:1	18mm	36mm	24mm	68mm	10mm



A=25mm B=42mm C=46mm D=98mm E=10mm

Two position ratchet pawl with free spool

Item No.	Capacity	Gear Ratio	A	B	C	D	E
02.120.01	1200lbs/545kgs	4:1	25mm	42mm	46mm	98mm	10mm
02.140.00	1400lbs/636kgs	4:1	25mm	42mm	46mm	98mm	10mm